

AD Oracle SA iQ

Fume Extraction System - Advantage Range

Datasheet

Technical Specification and Product Information

A mid-sized system for lighter-use laser applications.

The AD Oracle SA iQ combines an impressive array of features, including our Intelligent Operating System (iQ), into a single mid-sized system. It features a smaller pre-filter than the AD Oracle iQ but retains all other features, making it perfect for lighter-use applications.

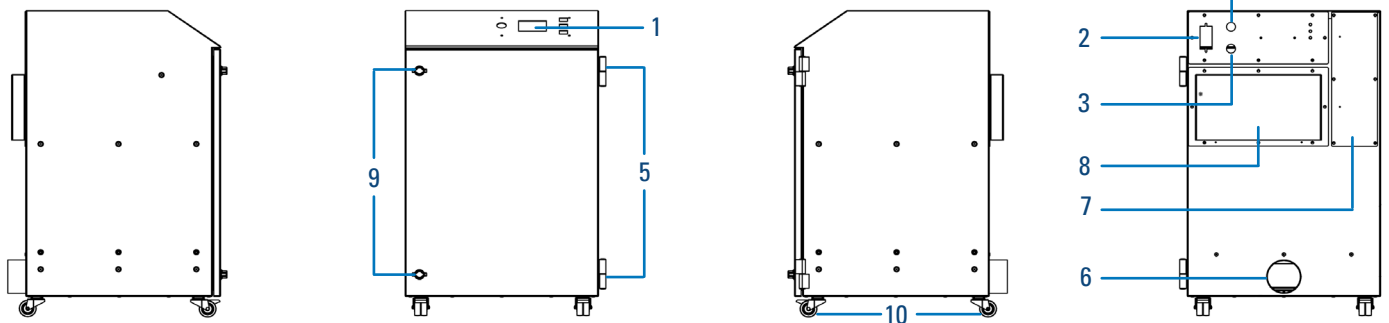
FEATURES

- High contrast display
- Real-time airflow reading
- Independent filter condition monitoring
- Remote diagnostics via USB
- Low-cost replacement filters
- Low noise levels
- Lockable castors



Approvals: UKCA and CE | cUL | UL*

TECHNICAL SPECIFICATION

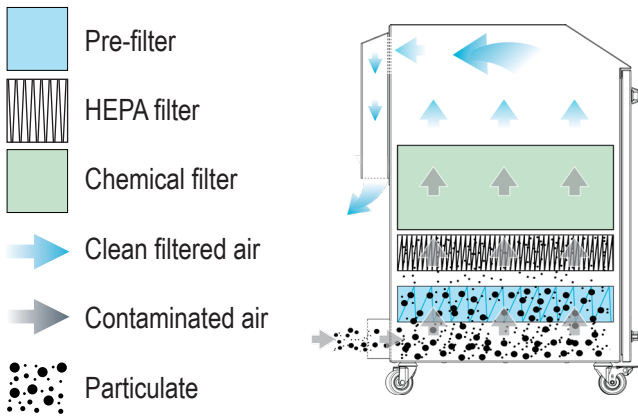


1. iQ display
2. On/off switch
3. Power cable
4. Signal/interface cable
5. Door hinges
6. Hose inlet connection - 2.9" (75mm)
7. Exhaust outlet
8. Blower cooling inlet
9. Door latches
10. Castors

TECHNICAL DATA

Voltage	Airflow		Pressure (+/- 10%)	Dimensions (H x W x D)		Weight (+/- 5%)		Noise level**	Frequency	Full load current
	V	cfm		m ³ /hr	mbar	in	mm			
115-230	223	380	96	29.1 x 17.7 x 20.3	740 x 450 x 515	128	58	< 60	50/60	12.5

AIRFLOW



PART NUMBERS - SYSTEM

Description	Part number
Powder-coated, 115-230 V 24 V S/S, SOK and O/R	1U630811024-1275
Stainless steel, 115-230 V No options	1U30106024-1275
Stainless steel, 115-230 V 24 V S/S, SOK, O/R and USA plug	1U4660106024-1275
Stainless steel, 115-230 V VOC	1U8130106024-1275
Stainless steel, 115-230 V 24 V S/S, SOK, O/R, VOC, USA plug	1U12760106024-1275

FILTER SPECIFICATIONS

Model	Surface media area (approx)		Filter efficiency
	ft ²	m ²	
Pre-filter	33.9	3.2	95% @ 0.3 microns
Combined filter (HEPA)	49.5	4.6	99.995% @ 0.3 microns

Model	Activated carbon volume	
	ltr	
Combined filter (gas)	15.5	

PART NUMBERS - FILTERS

DeepPleat DUO pre-filter	Combined filter
1UA1030344	1UA1030155

CUSTOMIZATIONS

Options

Power cables
 Remote stop/start signal (S/S)
 System OK signal (SOK)
 Override (O/R)
 VOC sensor
 Exhaust box/exhaust spigot

Cabinet construction

Brushed stainless steel
 Powder-coated mild steel (RAL7016)

Power cables

Type B
 Type E
 Type G

Compatible accessories:

Spark Arrestor 2
 AD Cyclone
 ILF 300
 ILF 600
 ILF 1000

*UL: Tested to UL standards, but testing may be provided by alternate nationally recognized test laboratories. Certain product configurations may affect the UL certification. Please speak to your sales representative.

** Noise level: At typical operating speed.

Datasheet correct at time of publishing. Where applicable, the carbon used in Donaldson BOFA systems is capable of removing a wide range of VOCs, however it is the responsibility of the user to ensure the carbon is suitable for their application. For specific applications, please contact us for details.

Important Notice

Many factors beyond the control of Donaldson can affect the use and performance of Donaldson products in a particular application, including the conditions under which the product is used. Since these factors are uniquely within the user's knowledge and control, it is essential the user evaluate the products to determine whether the product is fit for the particular purpose and suitable for the user's application. All products, product specifications, availability and data are subject to change without notice, and may vary by region or country.



Approvals:
 REACH and
 RoHS.
 See individual
 product technical
 data for specific
 accreditations.



Donaldson BOFA

UK & ROW
 Tel. +44 (0) 1202 699 444
 Email. bofasales@donaldson.com
 Web. donaldsonbofa.com

Germany
 Email. bofavertrieb@donaldson.com

USA
 Tel. +1 (618) 205 5007
 Email. bofasalesus@donaldson.com

ENG (June 2026) Donaldson BOFA AD Oracle SA IQ Datasheet. ©2011-2026 Donaldson Company, Inc. Donaldson, Torit, Dalamatic, Delta P, Delta P Plus, Downflo, Dura-Life, Easy Duct, PowerCore, Synteq XP, Ultra-Web, Unimaster and the color blue are marks of Donaldson Company, Inc. All other marks belong to their respective owners.