

## AD 1500 iQ

Fume Extraction System - Advantage Range

### Datasheet

Technical Specification and Product Information

## A system for heavy-duty laser applications.

The AD 1500 iQ fume extraction system is perfect for heavy-duty applications that produce considerable amounts of particulate. It has a large filter capacity and provides higher airflow than the AD 1000 iQ system.

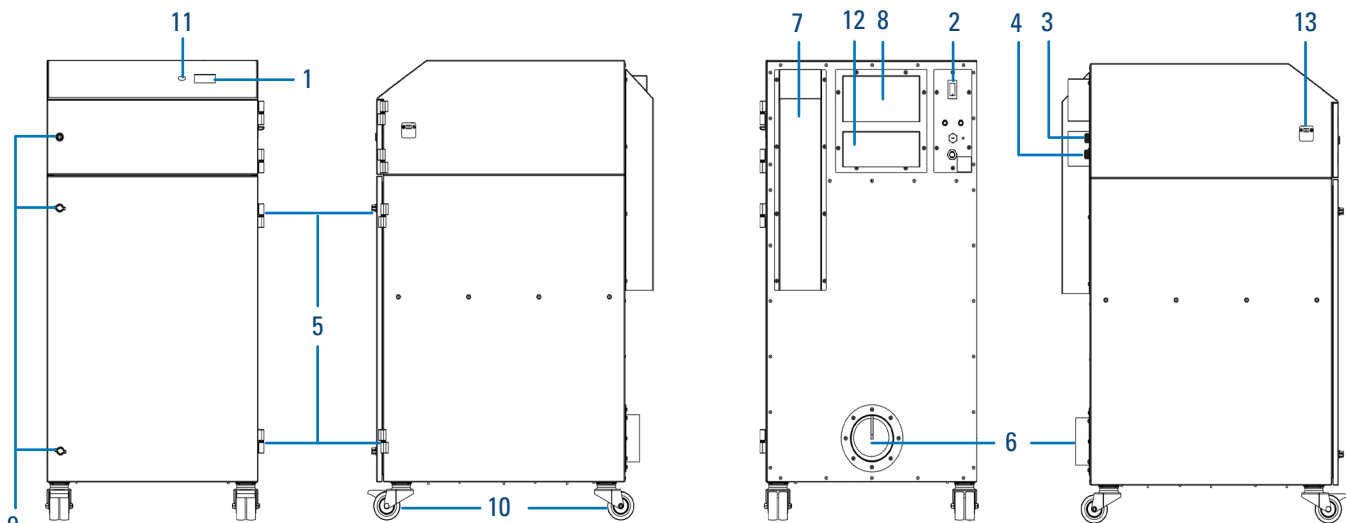
### FEATURES

- Real-time airflow reading
- Independent filter condition monitoring
- High contrast display
- Remote diagnostics via USB
- Long-life, low-cost replacement filters

Approvals: UKCA and CE | cUL | UL\*



### TECHNICAL SPECIFICATION

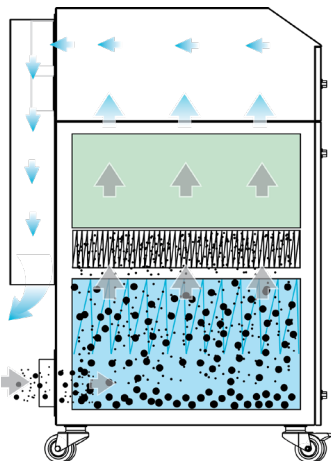
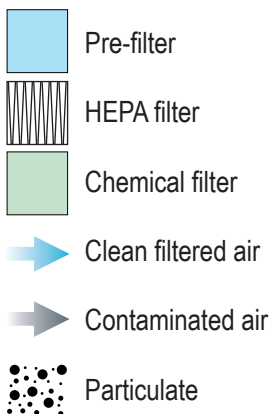


1. iQ display
2. On/off switch
3. Power cable
4. Signal/interface cable
5. Door hinges
6. Hose inlet connection - 4.92" (125 mm)
7. Exhaust outlet
8. Blower cooling inlet
9. Door latches
10. Castors
11. Standby button
12. Blower cooling outlet
13. USB port

### TECHNICAL DATA

Voltage	Airflow		Pressure (+/- 10%)	Dimensions (H x W x D)		Weight (+/- 5%)		Noise level**	Frequency	Full load current
	V	cfm		m <sup>3</sup> /hr	mbar	in	mm			
230 1 ph	735	1250	100	47.4 x 24.4 x 31.1	1205 x 620 x 790	322	152	< 68	50/60	24
415 3 ph										8.5 Ph / 14.5 A N

## AIRFLOW



## PART NUMBERS - SYSTEM

Description	Part number
Powder-coated, 230 V No options, NEMA L6-30P Plug	1U12061504-2181-US
Powder-coated, 230 V 24 V S/S, SOK, NEMA L6-30P Plug	1U4662061504-2181-US
Powder-coated, 230 V 24 V S/S, SOK and O/R	1U4680811504-1419-01
Powder-coated, 415 V No options	1U15812004-1419
Powder-coated, 415 V 24 V S/S and SOK	1U645812004-1419
Stainless steel, 230 V 24 V S/S and SOK	1U630106504-1419

## FILTER SPECIFICATIONS

Model	Surface media area (approx)		Filter efficiency
	ft <sup>2</sup>	m <sup>2</sup>	
DeepPleat DUO pre-filter	322.8	30	F8 50% @ 0.3 microns
Combined filter (HEPA)	80.7	7.5	99.995% @ 0.3 microns

Model	Activated carbon volume	
	ltr	
Combined filter (gas)	53.7	

## PART NUMBERS - FILTERS

DeepPleat DUO pre-filter	Combined filter
1UA1030222	1UA1030297

## CUSTOMIZATIONS

### Options

Power cables  
Remote stop/start signal (S/S)  
System OK signal (SOK)  
Override (O/R)  
VOC sensor  
Exhaust box/exhaust spigot

### Cabinet construction

Brushed stainless steel  
Powder-coated mild steel (RAL7016)

### Power cables

Red commando plug (415 V)  
Blue commando plug (230 V)  
NEMA L6-30P plug

### Compatible accessories:

Spark Arrestor 2

\*UL: Tested to UL standards, but testing may be provided by alternate nationally recognized test laboratories. Certain product configurations may affect the UL certification. Please speak to your sales representative.

\*\* Noise level: At typical operating speed.

Datasheet correct at time of publishing. Where applicable, the carbon used in Donaldson BOFA systems is capable of removing a wide range of VOCs, however it is the responsibility of the user to ensure the carbon is suitable for their application. For specific applications, please contact us for details.

#### Important Notice

Many factors beyond the control of Donaldson can affect the use and performance of Donaldson products in a particular application, including the conditions under which the product is used. Since these factors are uniquely within the user's knowledge and control, it is essential the user evaluate the products to determine whether the product is fit for the particular purpose and suitable for the user's application. All products, product specifications, availability and data are subject to change without notice, and may vary by region or country.



Approvals: REACH and RoHS. See individual product technical data for specific accreditations.



#### Donaldson BOFA

**UK & ROW**  
Tel. +44 (0) 1202 699 444  
Email. bofasales@donaldson.com  
Web. donaldsonbofa.com

**Germany**  
Email. bofavertrieb@donaldson.com

**USA**  
Tel. +1 (618) 205 5007  
Email. bofasalesus@donaldson.com

ENG (April 2026) Donaldson BOFA AD 1500 IQ Datasheet. ©2011-2026 Donaldson Company, Inc. Donaldson, Torit, Dalamatic, Delta P, Delta P Plus, Downflo, Dura-Life, Easy Duct, PowerCore, Synteq XP, Ultra-Web, Unimaster and the color blue are marks of Donaldson Company, Inc. All other marks belong to their respective owners.