

# AD Oracle iQ

Fume Extraction System - Advantage Range

## Datasheet

Technical Specification and Product Information

### A mid-sized system for a range of laser applications.

The AD Oracle iQ integrates a variety of features, including our Intelligent Operating System (iQ), into one unique system. This versatile system is suitable for a wide range of laser applications.

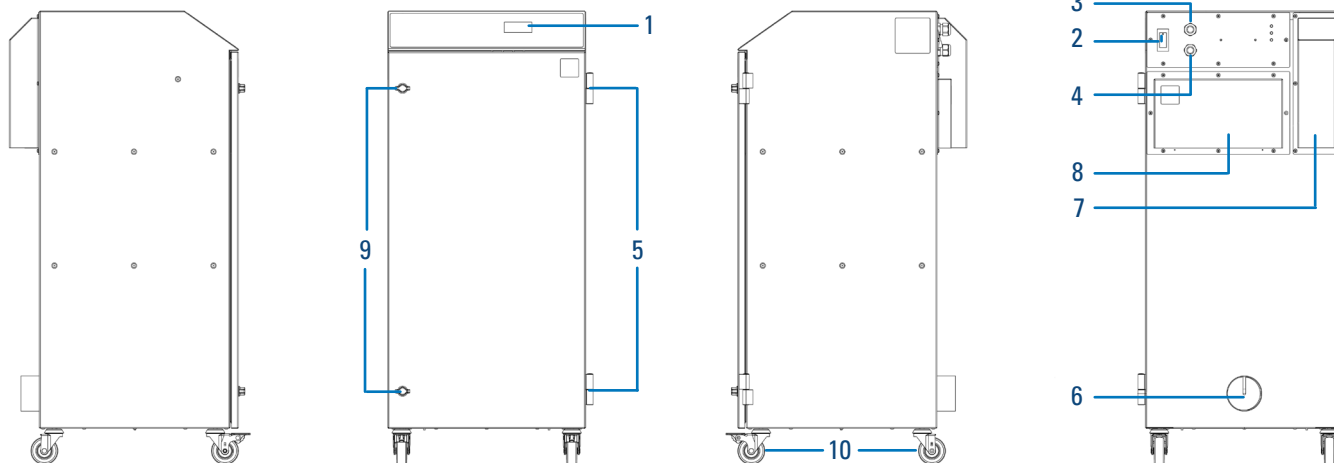
### FEATURES

- High contrast display
- Real-time airflow reading
- Independent filter condition monitoring
- Blower with high airflow and pressure
- Remote diagnostics via USB

Approvals: UKCA and CE | cUL | UL\*



### TECHNICAL SPECIFICATION

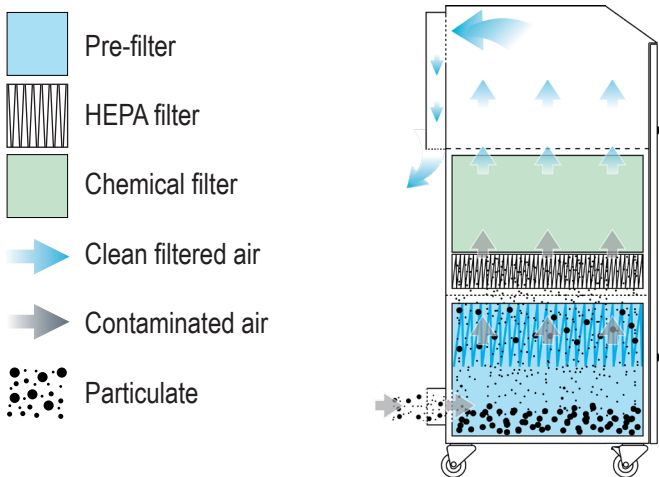


- 1. iQ display
- 2. On/off switch
- 3. Power cable
- 4. Signal/interface cable
- 5. Door hinges
- 6. Hose inlet connection - 2.9" (75mm)
- 7. Exhaust outlet
- 8. Blower cooling inlet
- 9. Door latches
- 10. Castors

### TECHNICAL DATA

Voltage	Unrestricted airflow** (+/- 10%)		Settable airflow range***		Pressure (+/- 10%)	Dimensions (H x W x D)		Weight (+/- 5%)		Noise level****	Frequency	Full load current
	V	cfm	m <sup>3</sup> /hr	cfm		m <sup>3</sup> /hr	in	mm	lbs			
115-230	241	410	59-224	100-380	95	38.4 x 17.5 x 19.9	975 x 455 x 505	143	65	< 70	50/60	12.5

## AIRFLOW



## PART NUMBERS - SYSTEM

Description	Part number
Powder-coated, 115-230 V No options	1U30811022-1275
Powder-coated, 115-230 V 24 V S/S, SOK	1U630811022-1275
Stainless steel, 115-230 V No options	1U30106022-1275
Stainless steel, 115-230 V 24 V S/S, SOK, O/R, and VOC	1U8730106022-1275
Stainless steel, 115-230 V O/R, USA plug	1U4060106022-1275
Stainless steel, 115-230 B 24 V S/S, SOK, O/R, SHK, USA plug	1U4660106022-1275

## FILTER SPECIFICATIONS

Model	Surface media area (approx)		Filter efficiency
	ft <sup>2</sup>	m <sup>2</sup>	
DeepPleat DUO pre-filter	129.1	12	F8 50% @ 0.3 microns
Combined filter (HEPA)	32.3	3	99.995% @ 0.3 microns

Model	Activated carbon volume	
	ltr	
Combined filter (gas)	18.8	

## PART NUMBERS - FILTERS

DeepPleat DUO pre-filter	Combined filter
1UA1030156	1UA1030155

## CUSTOMIZATIONS

### Options

Power cables  
 Remote stop/start signal (S/S)  
 System OK signal (SOK)  
 Override (O/R)  
 VOC sensor  
 NOx sensor  
 Blanking plate/exhaust box/exhaust spigot

### Cabinet construction

Brushed stainless steel  
 Powder-coated mild steel (RAL7016)

### Power cables

Type B  
 Type E  
 Type G  
 Type free ends

### Compatible accessories:

Spark Arrestor 2  
 AD Cyclone  
 ILF 300  
 ILF 600  
 ILF 1000  
 FireBOX MA/GA

Datasheet correct at time of publishing. Where applicable, the carbon used in Donaldson BOFA systems is capable of removing a wide range of VOCs, however it is the responsibility of the user to ensure the carbon is suitable for their application. For specific applications, please contact us for details.

#### Important Notice

Many factors beyond the control of Donaldson can affect the use and performance of Donaldson products in a particular application, including the conditions under which the product is used. Since these factors are uniquely within the user's knowledge and control, it is essential the user evaluate the products to determine whether the product is fit for the particular purpose and suitable for the user's application. All products, product specifications, availability and data are subject to change without notice, and may vary by region or country.



Approvals: REACH and RoHS.  
 See individual product technical data for specific accreditations.



#### Donaldson BOFA

**UK & ROW**  
 Tel. +44 (0) 1202 699 444  
 Email. bofasales@donaldson.com  
 Web. donaldsonbofa.com

**Germany**  
 Email. bofavertrieb@donaldson.com

**USA**  
 Tel. +1 (618) 205 5007  
 Email. bofasalesus@donaldson.com

ENG (November 2024) Donaldson BOFA AD Oracle IQ Datasheet. ©2011-2024 Donaldson Company, Inc. Donaldson, Torit, Dalamatic, Delta P, Delta P Plus, Downflo, Dura-Life, Easy Duct, PowerCore, Syntex XP, Ultra-Web, Unimaster and the color blue are marks of Donaldson Company, Inc. All other marks belong to their respective owners.