

# AD Oracle Pro OS Connect

Fume Extraction System - Advantage Range

## Datasheet

Technical Specification and Product Information

A mid-sized system for a range of laser applications.

The AD Oracle Pro OS Connect extraction system combines a range of advanced features into a single, powerful system. Featuring our new, cutting-edge Pro OS software platform, this intuitive system enhances productivity like never before.

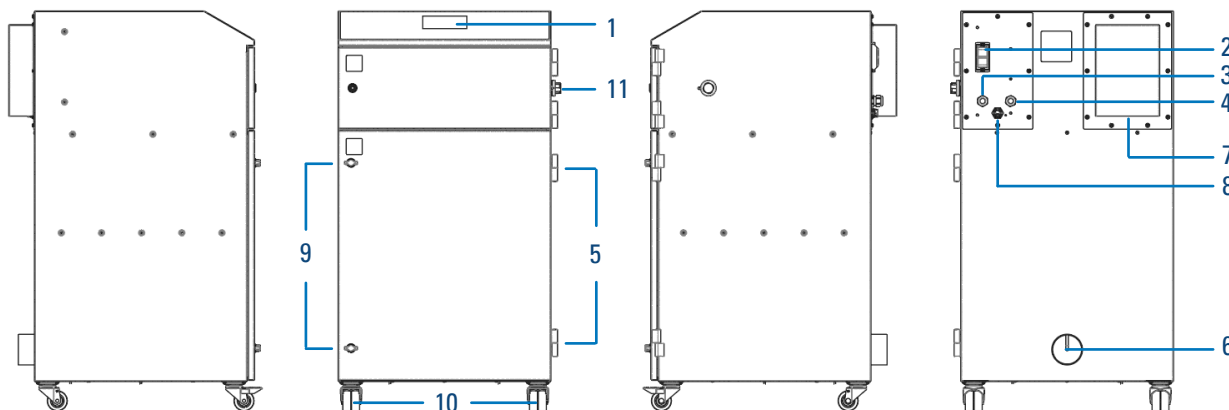
### FEATURES

- Two-way data stream
- Color touch screen
- Real-time system status
- Multi-language software
- Customizable branding
- Filter life monitor
- Pressure sensors
- Alarm configurations
- USB lock screen



Approvals: UKCA and CE | cUL | UL\*

### TECHNICAL SPECIFICATION

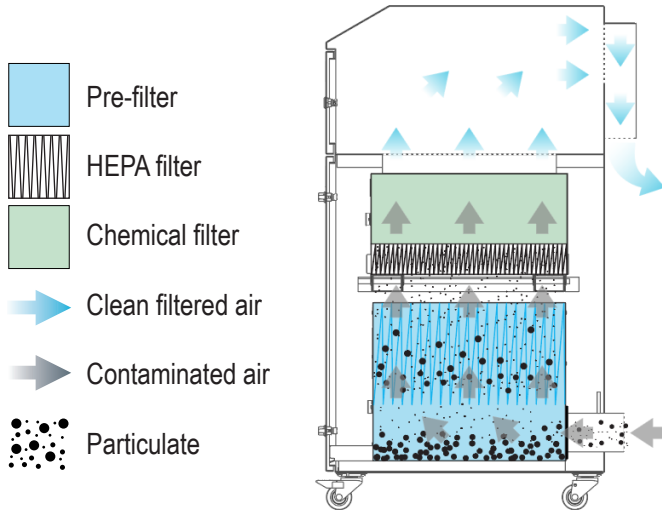


1. Touchscreen display
2. On/off switch
3. Power cable
4. Signal/interface cable
5. Door hinges
6. Hose inlet connection - 2.95" (75 mm)
7. Exhaust outlet
8. RJ45 ethernet port\*\*
9. Door latches
10. Castors
11. USB port

### TECHNICAL DATA

Voltage	Unrestricted airflow*** (+/- 10%)		Settable airflow range****		Pressure (+/- 10%)	Dimensions (H x W x D)		Weight (+/- 5%)		Noise level***** dB(A)	Frequency Hz	Full load current amps
	V	cfm	m <sup>3</sup> /hr	cfm		m <sup>3</sup> /hr	mbar	in	mm			
100-230	241	410	58-217	100-370	96	39.2 x 21.5 x 24.6	995 x 547 x 626	157	71	< 80	50/60	12.5

## AIRFLOW



## PART NUMBERS - SYSTEM

Description	Part number
Stainless steel, 100-230 V 24 V S/S, SOK, VOC, UK Plug	1U8700106204
Stainless steel, 100-230 V 24 V S/S, SOK, VOC, EU Plug	1U8705106204
Stainless steel, 100-230 V 24 V S/S, SOK, VOC, USA Plug	1U8710106204
Powder-coated, 100-230 V 24 V S/S, SOK, VOC, UK Plug	1U8700811204
Powder-coated, 100-230 V 24 V S/S, SOK, VOC, EU Plug	1U8705811204
Powder-coated, 100-230 V 24 V S/S, SOK, VOC, USA Plug	1U8710811204

## FILTER SPECIFICATIONS

Model	Surface media area (approx)		Filter efficiency
	ft <sup>2</sup>	m <sup>2</sup>	
DeepPleat DUO pre-filter	129.1	12	ePM1 70%
Combined filter (HEPA)	32.3	3	99.995% @ 0.3 microns

Model	Activated carbon volume	
	ltr	
Combined filter (gas)	18.8	

## PART NUMBERS - FILTERS

DeepPleat DUO pre-filter	Combined filter
1UA1030156	1UA1030155

### Cabinet construction

Brushed stainless steel  
Powder-coated mild steel (RAL7016)

### Compatible accessories:

Spark Arrestor 2  
AD Cyclone  
ILF 300  
ILF 600  
ILF 1000  
FireBOX MA/GA

\*UL: Tested to UL standards, but testing may be provided by alternate nationally recognized test laboratories. Certain product configurations may affect the UL certification. Please speak to your sales representative.

\*\*Connectivity: The Pro OS models feature connectivity via an RJ45 port which is located on the rear of the extraction system. This port can be used as 2-way communication, enabling the control of the extraction system as well as live data streaming from the system. For information on how to configure your device to communicate with the Pro OS, please use document: SG-PRO OS CONNECT PROTOCOL CONFIGURATION GUIDE-BOFA-US

\*\*\* Unrestricted airflow: The airflow values provided with clean filters, no hose kit, at 230 V, measured by using a wind vane. The numbers may vary depending on voltage and test procedure used.

\*\*\*\* Settable range: Donaldson BOFA recommends utilizing the lowest flow rate that achieves the correct capture velocity for your application in order to maximize filter life.

\*\*\*\*\* Noise level: At typical operating speed.

Datasheet correct at time of publishing. Where applicable, the carbon used in Donaldson BOFA systems is capable of removing a wide range of VOCs, however it is the responsibility of the user to ensure the carbon is suitable for their application. For specific applications, please contact us for details.

#### Important Notice

Many factors beyond the control of Donaldson can affect the use and performance of Donaldson products in a particular application, including the conditions under which the product is used. Since these factors are uniquely within the user's knowledge and control, it is essential the user evaluate the products to determine whether the product is fit for the particular purpose and suitable for the user's application. All products, product specifications, availability and data are subject to change without notice, and may vary by region or country.



Approvals: REACH and RoHS. See individual product technical data for specific accreditations.

FS 643451  
ISO 9001



#### Donaldson BOFA

**UK & ROW**  
Tel. +44 (0) 1202 699 444  
Email. bofasales@donaldson.com  
Web. donaldsonbofa.com

**Germany**  
Email. bofavertrieb@donaldson.com

**USA**  
Tel. +1 (618) 205 5007  
Email. bofasalesus@donaldson.com

ENG (January 2025) Donaldson BOFA AD Oracle Pro OS Connect Datasheet. ©2011-2025 Donaldson Company, Inc. Donaldson, Torit, Dalamatic, Delta P, Delta P Plus, Downflo, Dura-Life, Easy Duct, PowerCore, Synteq XP, Ultra-Web, Unimaster and the color blue are marks of Donaldson Company, Inc. All other marks belong to their respective owners.