



A Donaldson Company

A WORLD LEADER IN FUME
EXTRACTION TECHNOLOGY

PRINTPRO UNIVERSAL FUME EXTRACTOR

LAST UPDATED ON 02.13.2024

Fume extraction system for the print and print finishing industries.

BOFA's pioneering extractor, the PrintPRO Universal is designed exclusively for the print and print finishing industries. The PrintPRO Universal's unique features helps it to filter a wide range of solvents generated within these environments, including MEK, ketones and vapours from UV applications.

The PrintPRO Universal is easily adapted to a huge range of environments, including wide format printers, inkjet coding printers (CIJ) (both solvent and UV) and numerous mailroom applications such as UV coating, hot melt glue binding and mailwrap polywrapping.

Key features

- VOC (Volatile Organic Compound) gas sensor
- Auto-sensing voltage (100-240v) for global use
- Extended life carbon for low cost of ownership
- Specially treated carbon for safe containment of print fumes
- Low noise level
- Small footprint
- Compact size enables extraction unit to be positioned within the printer footprint
- Castors for portability
- Powder-coated for durability
- Digital speed control
- Filter change indicator
- Optional 24V remote stop/start interface via printing machine
- Optional filter change signal
- Optional quiet mode silencer box for office environments, with option to vent outside the building



HEPA
filter



Advanced
carbon
filter (ACF)
technology



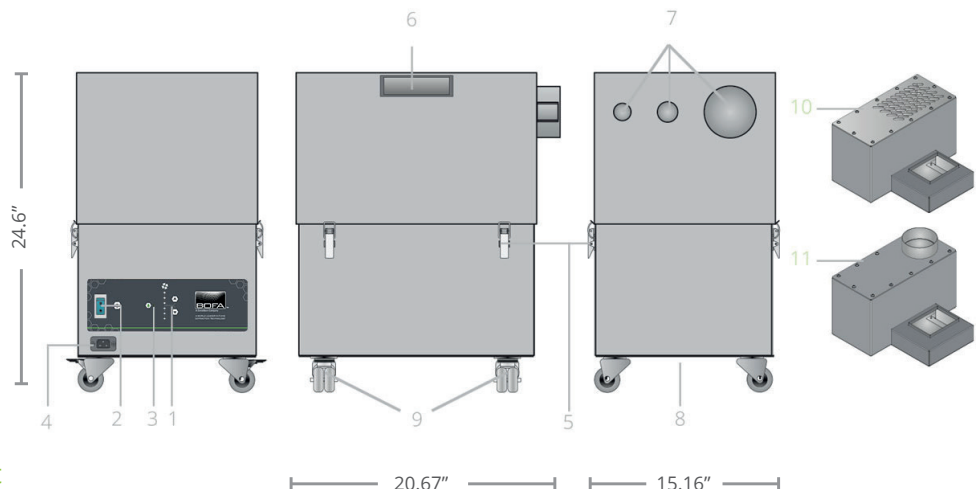
Multi-voltage
sensing unit
(MVS)



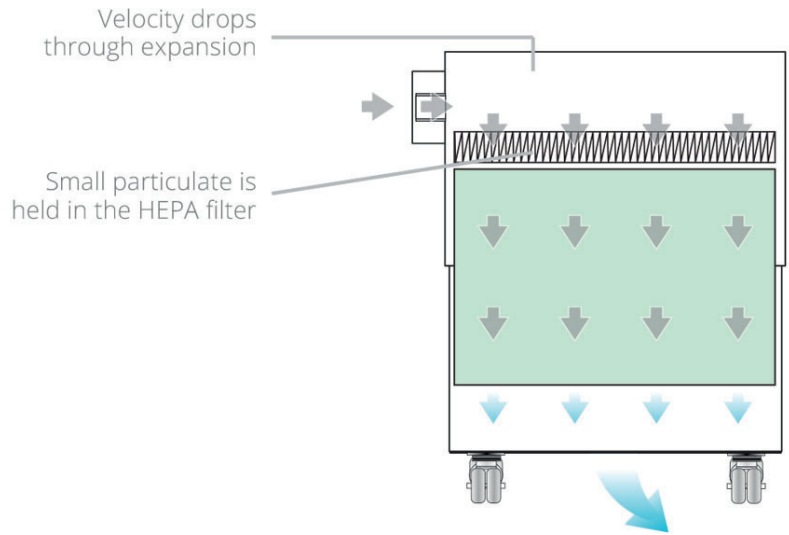
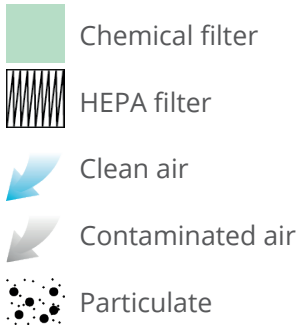
SureCHECK
quality
standard

Technical specification

1. Digital speed control
2. On/off switch
3. Filter condition display
4. IEC power cable inlet
5. Lid fastening latches
6. Handles
7. Hose inlet connections - 32mm/38mm/100mm
8. Exhaust outlet
9. Castors
10. Optional silencer box with grille
11. Optional silencer box with spigot



Airflow through filters



Technical data

Dimensions (HxWxD)	24.60 x 15.16 x 20.67"
Cabinet construction	Powder-coated mild steel
Airflow/pressure	223cfm/96mbar
Electrical data	100-230v single-phase 1~ 50/60Hz full load current: 12.5 amps / 1.1kw
Noise level	< 68 dBA (at typical operating speed)
Weight (standard extractor with filters)	113lbs (+/- 5%)
Approvals	UKCA, CE and cUL, UL*

* Tested to UL and cUL standards, but testing may be provided by alternate nationally recognized test laboratories. Certain product configurations may affect the UL certification. Please speak to your sales representative.

Contact BOFA at bofainternational.com/contact

Datasheet correct at time of publishing.

Where applicable, the carbon used in BOFA units is capable of removing a wide range of VOCs, however it is the responsibility of the user to ensure the carbon is suitable for their application. For specific applications, please contact us for details.

Important notice: Many factors beyond the control of BOFA can affect the use and performance of BOFA products in a particular application, including the conditions under which the product is used. Since these factors are uniquely within the user's knowledge and control, it is essential the user evaluate the products to determine whether the product is fit for the particular purpose and suitable for the user's application. All products, product specifications, availability and data are subject to change without notice, and may vary by region or country.

Think before you print! Please consider the environment before printing this document.

Combined HEPA/gas filter specifications

HEPA filter media	Borosilicate
HEPA media construction	Pleated with glue bead spacers
Filter housing	Zintec mild steel
Treated activated carbon	44 lbs
Surface media area	37.66 ft ²
Filter efficiency	99.995% @ 0.3 microns

Part numbers

Model	PrintPRO Universal - Powder-coated
Part number - Includes SHK-PPU38 - 38mm hose kit 3m	1U9457021077-1127
Silencer box with spigot	1UA1060052
Silencer box with air return grille	1UA1060187
Replacement filter	
Combined HEPA/gas filter (MEK)	1UA1030228

Find out more



FS 643451

Approvals: REACH and RoHS.
See individual product technical data for specific accreditations

