



A Donaldson Company

A WORLD LEADER IN FUME
EXTRACTION TECHNOLOGY

DUSTPRO 1000 iQ DUST EXTRACTOR

LAST UPDATED ON 01.10.2024

High-performance dust and fume extraction system for industrial applications.

BOFA's DustPRO 1000 iQ high-end dust extraction system combines extremely large filter capacity with high airflow and pressure rates, making it the ideal choice for heavy-duty applications.

Performance is enhanced with the inclusion of BOFA's acclaimed Intelligent Operating System (iQ) taking performance parameters to new levels and helping to keep maintenance, downtime and ownership costs to a minimum.



Intelligent
Operating
System (iQ)



HEPA
filter



Automatic flow
control (AFC)
technology



Reverse flow
air (RFA)
technology



SureCHECK
quality
standard



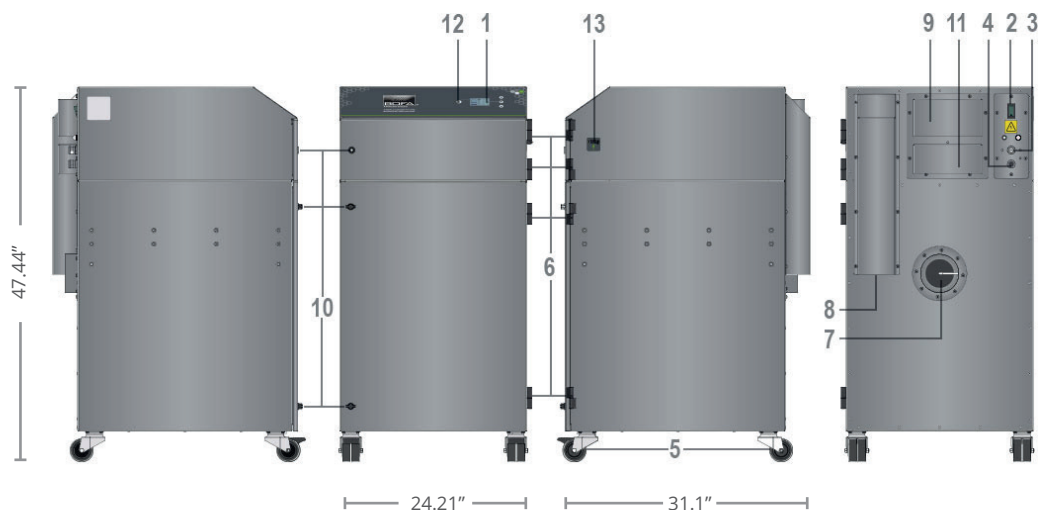
Patented
technology

Key features

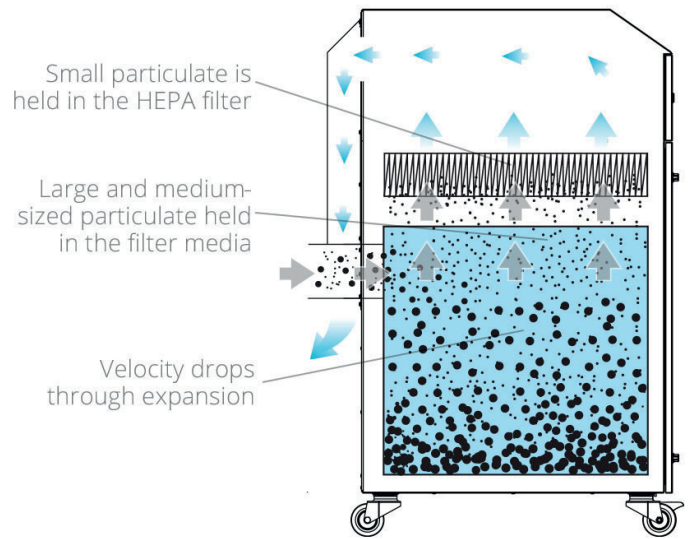
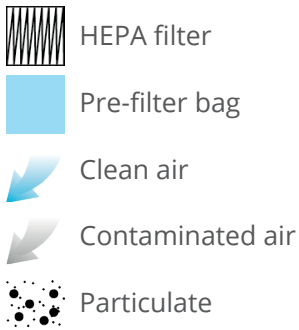
- Intelligent Operating System (iQ)
- High airflow and pressure rates
- Reverse flow air filter technology
- Automatic flow control system
- Real-time airflow reading
- High contrast display
- 'Run safe' operation
- Remote diagnostics via USB
- Independent filter condition monitoring, display and warnings
- Optional interfacing
- Optional remote stop/start interface
- Optional filter change/system fail signal

Technical specification

1. iQ display
2. On/off switch
3. Power cable
4. Signal interface cable
5. Castors
6. Door hinges
7. Inlet spigot - 125mm
8. Exhaust box
9. Motor cooling outlet
10. Door latch
11. Motor cooling inlet
12. Standby button
13. USB port



Airflow through filters



Technical data

Dimensions (HxWxD)	47.4 x 24.2 x 31.7"
Cabinet construction	Powder-coated mild steel (RAL7016)
Unrestricted airflow*	521cfm (+/- 10%)
Settable range**/ Max pressure	176-442 cfm / 60mbar (+/- 3%)
Electrical data	Voltage: 230V Frequency: 50Hz Full load current: 12.8 amps
Interface signal connection	Not included as standard (see options for more information)
Noise level	< 85 dBA (at typical operating speed)
Weight (standard extractor with filters)	209lbs (+/- 5%)
Approvals	UKCA, CE and cUL, UL***

Pre-filter specifications (8 pocket bag filter)

Volume area	22 gallons approx.
Filter efficiency	F8

Combined HEPA filter specifications

Media surface area	80.72ft ²
HEPA filter efficiency	99.995% @ 0.3 microns

Part numbers

Model	DustPRO 1000 iQ - Powder-coated
Part number - Including 24v stop/start and filter change signal	1U6530811619-1419
Replacement filters	
Pre-filter (bag filter)	1UA1030395
Combined HEPA filter	1UA1030394

Customizations

Options

- Stop/start function
- Filter signal condition
- Exhaust box/exhaust spigot

Power cables

- Type E
- Type G

Paint finish

- Powder-coated mild steel (RAL7016)

If other options are required, please contact sales representative.

* Unrestricted airflow = The airflow values provided with clean filters, no hose kit, at 230V, measured by using a wind vane. The numbers may vary depending on voltage and test procedure used.

** Settable range = BOFA recommends utilizing the lowest flow rate that achieves the correct capture velocity for your application in order to maximize filter life.

*** UL = Tested to UL standards, but testing may be provided by alternate nationally recognized test laboratories. Certain product configurations may affect the UL certification. Please speak to your sales representative.

Contact BOFA at bofainternational.com/contact

Datasheet correct at time of publishing.

Where applicable, the carbon used in BOFA units is capable of removing a wide range of VOCs, however it is the responsibility of the user to ensure the carbon is suitable for their application. For specific applications, please contact us for details.

Important notice: Many factors beyond the control of BOFA can affect the use and performance of BOFA products in a particular application, including the conditions under which the product is used. Since these factors are uniquely within the user's knowledge and control, it is essential the user evaluate the products to determine whether the product is fit for the particular purpose and suitable for the user's application. All products, product specifications, availability and data are subject to change without notice, and may vary by region or country.

Think before you print! Please consider the environment before printing this document.

Find out more



Approvals: REACH and RoHS.
See individual product technical data for specific accreditations

