



A Donaldson Company

A WORLD LEADER IN FUME
EXTRACTION TECHNOLOGY

AD ORACLE SA iQ FUME EXTRACTOR

LAST UPDATED ON 01.10.2024

The complete, compact, global solution for high-performance laser fume extraction system.

Introducing BOFA's technically advanced compact laser fume extractor. The AD Oracle SA iQ has BOFA's Intelligent Operating System (iQ), RFA and ACF technology and packs a powerful range of unique features into one compact unit.

The iQ performs at two distinct levels: Operators benefit from the ease of operation and clarity of real-time information and the system provides a cache of analytical data, enabling users to download performance and operating parameters for evaluation purposes. It takes performance parameters to a new level and helps keep maintenance downtime and ownership costs to a minimum.

Key features

- Intelligent Operating System (iQ)
- Reverse flow filter technology (RFA)
- Automatic flow control
- Advanced carbon filter technology (ACF)
- Auto-sensing voltage (100-230v) - for global use
- High contrast display
- Real-time airflow reading
- Independent filter condition monitoring
- 'Run safe' operation
- Remote diagnostics via USB
- Low-cost replacement filters
- HEPA and gas combined filter
- Low noise levels
- Lockable castors
- Small footprint
- Optional VOC gas sensor (Volatile Organic Compound)
- Optional interfacing with host laser
- Optional remote stop/start interface
- Optional filter change/system fail signal
- Optional filter medias



Intelligent
Operating
System (iQ)



HEPA
filter



Advanced
carbon
filter (ACF)
technology



Automatic flow
control (AFC)
technology



Reverse flow
air (RFA)
technology



Multi-voltage
sensing unit
(MVS)



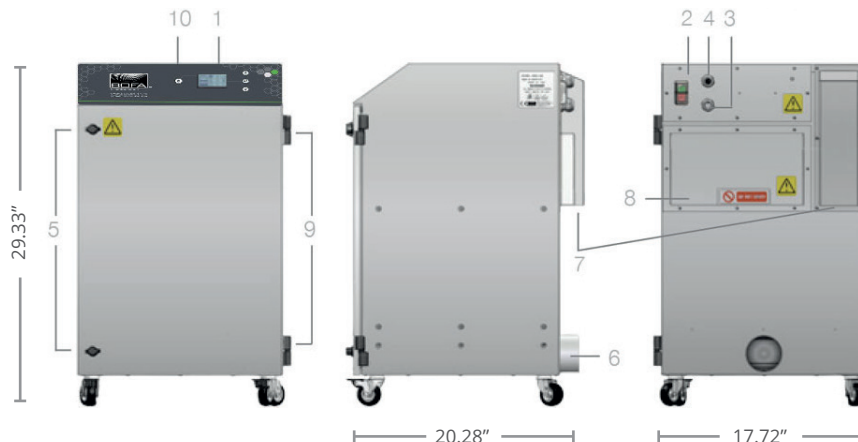
SureCHECK
quality
standard



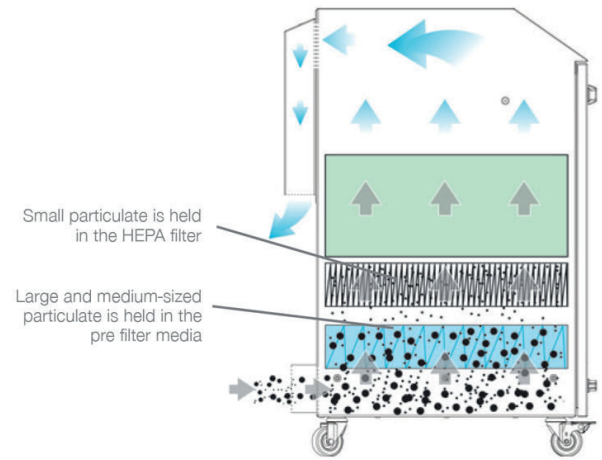
Patented
technology

Technical specification

1. iQ display
2. On/off switch
3. Power cable
4. Signal/interface cable
5. Door latches
6. Hose inlet connection - 75mm
7. Exhaust outlet
8. Motor cooling inlet
9. Door hinges
10. Standby button



Airflow through filters



Technical data

Dimensions (HxWxD)	29.33 x 17.72 x 20.28"
Cabinet construction	Brushed stainless steel Powder-coated mild steel
Airflow/pressure	223cfm/96mbar
Electrical data	100-230v single-phase 1~ 50/60Hz full load current: 12.5 amps / 1.1kw
Noise level	< 60 dBA (at typical operating speed)
Weight (standard extractor with filters)	128lbs (+/- 5%)
Approvals	UKCA, CE and cUL, UL*

Contact BOFA at bofainternational.com/contact

Datasheet correct at time of publishing.

Where applicable, the carbon used in BOFA units is capable of removing a wide range of VOCs, however it is the responsibility of the user to ensure the carbon is suitable for their application. For specific applications, please contact us for details.

Important notice: Many factors beyond the control of BOFA can affect the use and performance of BOFA products in a particular application, including the conditions under which the product is used. Since these factors are uniquely within the user's knowledge and control, it is essential the user evaluate the products to determine whether the product is fit for the particular purpose and suitable for the user's application. All products, product specifications, availability and data are subject to change without notice, and may vary by region or country.

Think before you print! Please consider the environment before printing this document.

Pre-filter specifications

Surface media area	Approx 33.894 ft ²
Filter media	Borosilicate
Filter media construction	Folded pleat
Filter housing	Cardboard
Filter efficiency	95% @ 0.3 microns

Combined HEPA/gas filter specifications

HEPA filter media	Borosilicate
HEPA media construction	Maxi pleat construction with glue bead spacers
Gas filter	Treated activated carbon
Filter housing	Zintec mild steel
Filter efficiency	99.995% @ 0.3 microns

Part numbers

Model	AD Oracle SA iQ - Stainless steel
Part number	1U30106024-1275
Including 24v stop/start and filter change signal	1U4660106024-1275
Optional VOC	1U8130106024-1275
Including 24v stop/start and filter change signal & VOC	1U12760106024-1275
Single hose kits	1USHK-O-(3,4,6) / 1UA1020392
Dual hose kits	1UDHK-O-(3,4)
Optional exhaust spigot 75mm	1UA1060130
Replacement filters	
Pre-filter	1UA1030344
Combined HEPA/gas filter	1UA1030155

Find out more



Approvals: REACH and RoHS.
See individual product technical data for specific accreditations

* Tested to UL and cUL standards, but testing may be provided by alternate nationally recognised test laboratories. Certain product configurations may affect the UL certification. Please speak to your sales representative.

