



A Donaldson Company

A WORLD LEADER IN FUME  
EXTRACTION TECHNOLOGY

## AD 2000 iQ FUME EXTRACTOR

LAST UPDATED ON 01.04.2024

**The AD 2000 iQ's technology helps to deliver superior and measurable performance, helping to ensure airflow and filtration is maintained even when particulates start to build up.**

The dual filter system helps create maximum capacity while the three-stage filtration process helps to ensure peak performance. This makes it suitable for the most demanding and complex installations so that you can rely on extended filter life and filtration of fumes and particulates.

It's user-friendly too, with a design that makes easy work of filter changes and the easy-to-read and access control display panel is conveniently located on top of the unit. The AD 2000 iQ's design also permits greater flexibility of different exhaust installations and different configurations allowing re-circulation via the rear panel or externally vented hose connection system.

### Key features

- Intelligent Operating System (iQ)
- 2 x DeepPleat DUO pre-filters
- Reverse flow air filter technology
- Combined HEPA/gas filter incorporating ACF technology
- Blowers with high airflow and vacuum levels
- High contrast display
- Real-time airflow reading
- Filter status warnings
- Remote diagnostics via USB
- Independent filter condition monitoring
- Long life filters with low replacement cost
- 'Run safe' operation (filters must be installed correctly for the unit to operate)
- Optional VOC (volatile organic compound) gas sensor
- Optional remote stop/start interface
- Optional filter change/system fail signal



Intelligent  
Operating  
System (iQ)



DeepPleat  
DUO pre-  
filter



HEPA  
filter



Advanced  
carbon  
filter (ACF)  
technology



Automatic flow  
control (AFC)  
technology



Reverse flow  
air (RFA)  
technology



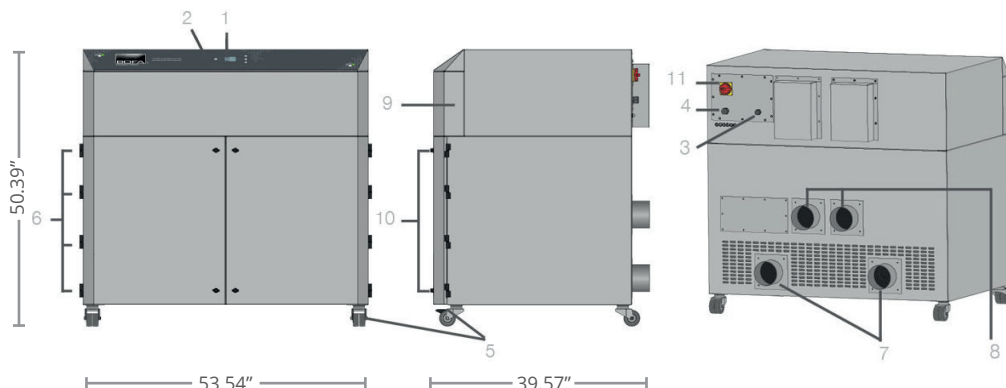
SureCHECK  
quality  
standard



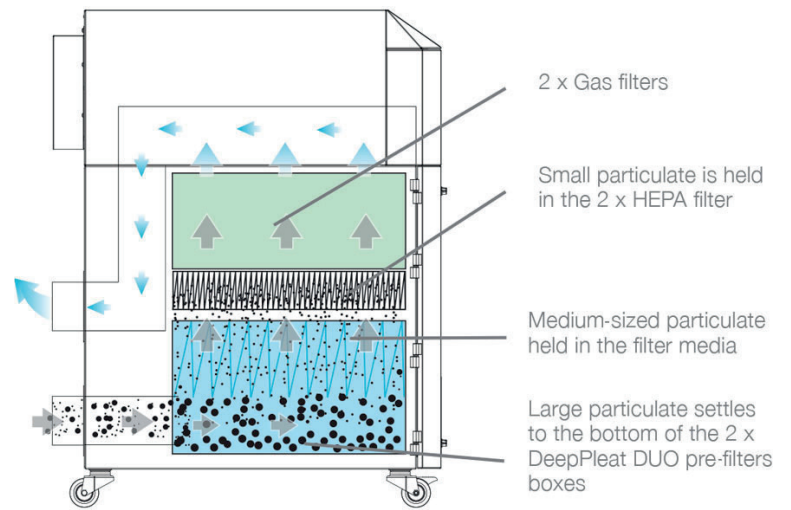
Patented  
technology

### Technical specification

1. iQ display
2. On/off switch
3. Signal interface cable
4. Power cable
5. Locking castors
6. Door hinges
7. Hose inlet connection - 125mm
8. Optional exhaust outlet connections - 125mm
9. Removable front panel
10. Door latches
11. On/off switch



## Airflow through filters



## Technical data

Dimensions (HxWxD)	50.39 x 53.54 x 39.57"
Cabinet construction	Powder-coated mild steel
Airflow/pressure	1471cfm / 96mBar
Electrical data	(EU) 415v / Three-phase 3~ / 50Hz / 6.6kw / L1, L2, L3 16A - N 28A (USA) 208V / Three-phase 3~ / 60Hz / 6.6kw / L1, L2, L3 20A - N 35A
Noise level	< 75dBA (at typical operating speed)
Weight	750lbs (+/- 5%)
Approvals	UKCA and CE

Contact BOFA at [donaldsonbofa.com/contact/](https://donaldsonbofa.com/contact/)

Datasheet correct at time of publishing.

Where applicable, the carbon used in BOFA units is capable of removing a wide range of VOCs, however it is the responsibility of the user to ensure the carbon is suitable for their application. For specific applications, please contact us for details.

**Important notice:** Many factors beyond the control of BOFA can affect the use and performance of BOFA products in a particular application, including the conditions under which the product is used. Since these factors are uniquely within the user's knowledge and control, it is essential the user evaluate the products to determine whether the product is fit for the particular purpose and suitable for the user's application. All products, product specifications, availability and data are subject to change without notice, and may vary by region or country.

Think before you print! Please consider the environment before printing this document.

## Pre-filter specifications (2 x DeepPleat DUO)

Surface media area	322.8 ft <sup>2</sup> approx x 2 (645.6ft <sup>2</sup> )
Filter media	Borosilicate
Filter media construction	Maxi pleat construction with glue bead spacers
Filter housing	Zintec mild steel
Filter efficiency	96% @ 2 microns
Inlet size	125mm (0.41 ft)
Dropout chamber size	58 litres x 2 (116 litres)
Filter media pleat size	200mm x 2 (400mm) 0.65 ft x 2 (1.3ft)

## Combined HEPA/gas filter specifications (x2)

Surface media area	161.4 ft <sup>2</sup> (80.7 ft <sup>2</sup> ) approx
HEPA filter media	Borosilicate
HEPA media construction	Maxi pleat construction with glue bead spacers
Gas filter	Treated activated carbon
Treated activated carbon	74.8 lbs (149.6 lbs)
Filter housing	Zintec mild steel
Filter efficiency	99.995% @ 0.3 microns

## Part numbers

Model	AD 2000 iQ - Powder-coated
Part number	1U4665812006-1537
<b>Replacement filters</b>	
Pre-filter (DeepPleat DUO) - Pack of 2	1UA1030336
Combined HEPA/gas filter - Pack of 2	1UA1030335



Approvals: REACH and RoHS.  
See individual product technical data for specific accreditations

