



A Donaldson Company

3D PRINTPRO 2 FUME EXTRACTOR

LAST UPDATED ON 02.13.2024

A WORLD LEADER IN FUME
EXTRACTION TECHNOLOGY

For open framed 3D printers.


The BOFA 3D PrintPRO 2 is a low-cost unit, which helps to filter fumes generated by an open-framed 3D printer without causing the filament deposition area to be cooled.

It has the benefits of low noise levels and minimal power consumption. Each unit can be supplied with a connection hose, 'stay put' arm and conical-shaped funnel.


Print your own extendable manifolds 3D drawing files can be found at: bofainternational.com/en/print-your-own

Key features


- Filter change indicator
- 3-level filtration - pre and HEPA/chemical filters
- Hose kit included
- Low noise level
- Powder-coated for durability
- Small footprint
- Compact size
- Optional 24V remote stop/start interface




HEPA
filter



Advanced carbon
filter (ACF)
technology



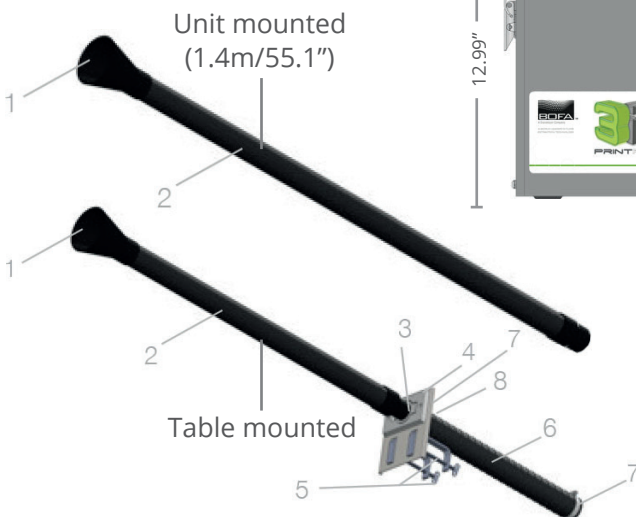
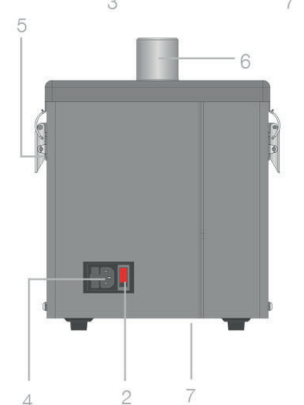
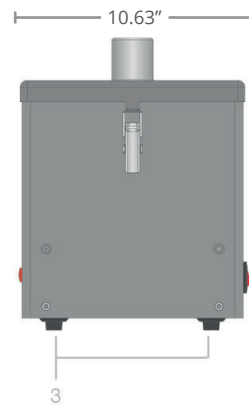
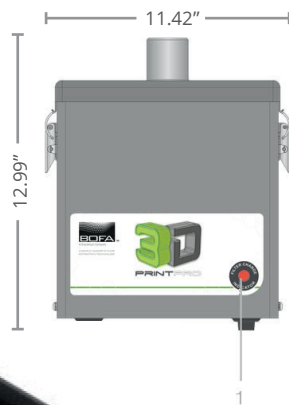
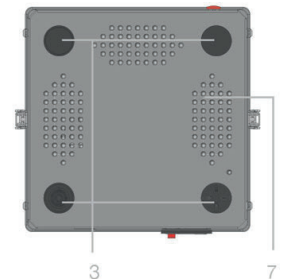
Multi-voltage
sensing unit
(MVS)



SureCHECK
quality
standard

Technical specification

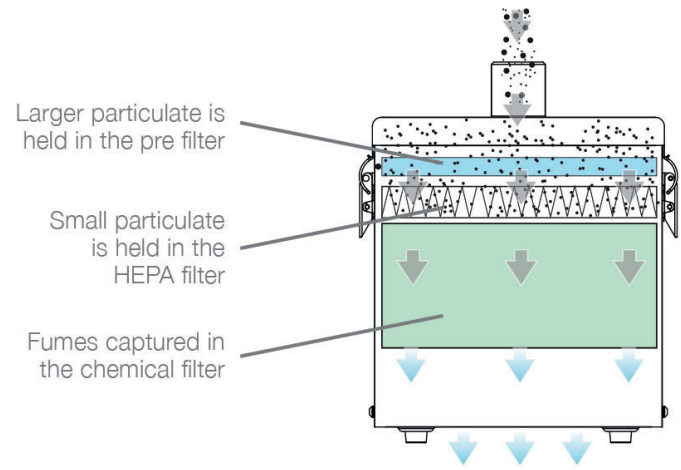
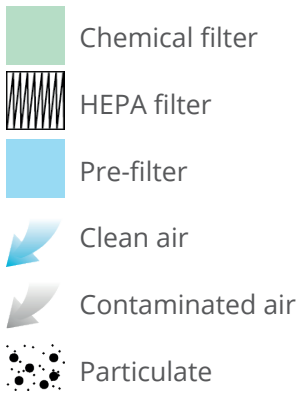
1. Filter change indicator
2. On/off switch
3. Feet
4. Power cable inlet
5. Lid fastening latches
6. Hose inlet connections - 50mm
7. Exhaust outlets



Hose kit technical specification

- | | |
|------------------------|-----------------------|
| 1. Funnel | 5. 2 x 'G' clamps |
| 2. 50mm 'stay put' arm | 6. 60mm flexible hose |
| 3. Flip-top mount | 7. 2 x jubilee clamp |
| 4. Table bracket | 8. Shut off valve |

Airflow through filters



Technical data

Dimensions (HxWxD)	12.99 x 11.42 x 10.63"
Cabinet construction	Powder-coated mild steel
Airflow/pressure	26cfm/9mBar
Electrical data	115v 60/50Hz Full load current: 0.2 amps
Noise level	< 44dBA (at typical operating speed)
Weight	17lbs (+/- 5%)
Approvals	UKCA and CE

Pre-filter specifications

Filter media	Polypropylene
Filter media construction	Pad
Filter efficiency	96% @ 2 microns

Combined HEPA/gas filter specifications

HEPA filter media	Borosilicate
HEPA media construction	Maxi pleat construction with glue bead spacers
Gas filter	Treated activated carbon
Filter housing	Zintec mild steel
Filter efficiency	99.995% @ 0.3 microns

Part numbers

Model	3D PrintPRO 2 - Powder-coated
Part number includes 50mm unit mounted arm 1.4m w/funnel	1U30376000-1584
Part number includes arm installation kit	1U32111000-1584
Replacement filters	
Pre-filter (pack of 5)	1UA1030102
Combined HEPA/gas filter	1UA1030099

Contact BOFA at bofainternational.com/contact

Datasheet correct at time of publishing.

Where applicable, the carbon used in BOFA units is capable of removing a wide range of VOCs, however it is the responsibility of the user to ensure the carbon is suitable for their application. For specific applications, please contact us for details.

Important notice: Many factors beyond the control of BOFA can affect the use and performance of BOFA products in a particular application, including the conditions under which the product is used. Since these factors are uniquely within the user's knowledge and control, it is essential the user evaluate the products to determine whether the product is fit for the particular purpose and suitable for the user's application. All products, product specifications, availability and data are subject to change without notice, and may vary by region or country.

Think before you print! Please consider the environment before printing this document.

Find out more



Approvals: REACH and RoHS.
See individual product technical data for specific accreditations

