

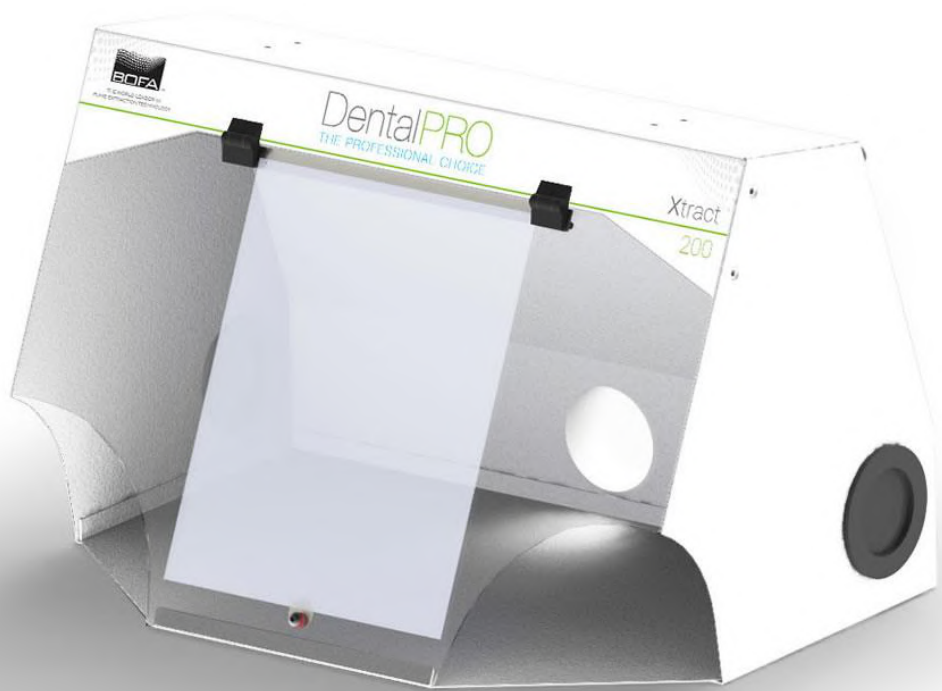


A Donaldson Company

A WORLD LEADER IN FUME
EXTRACTION TECHNOLOGY

DentalPRO Xtract 200

USER MANUAL



Contents

1	01	Overview of your Xtract 200 system (front)
	02	Overview of your Xtract 200 system (back)
2	01	Important safety notes
	02	Safety labels
3	01	Unpacking and unit placement
4	01	Connecting to power supply
	02	Fume capture methods
5	01	Cleaning the unit
6	01	DentalPRO Xtract 200 Specifications

V2 May 16

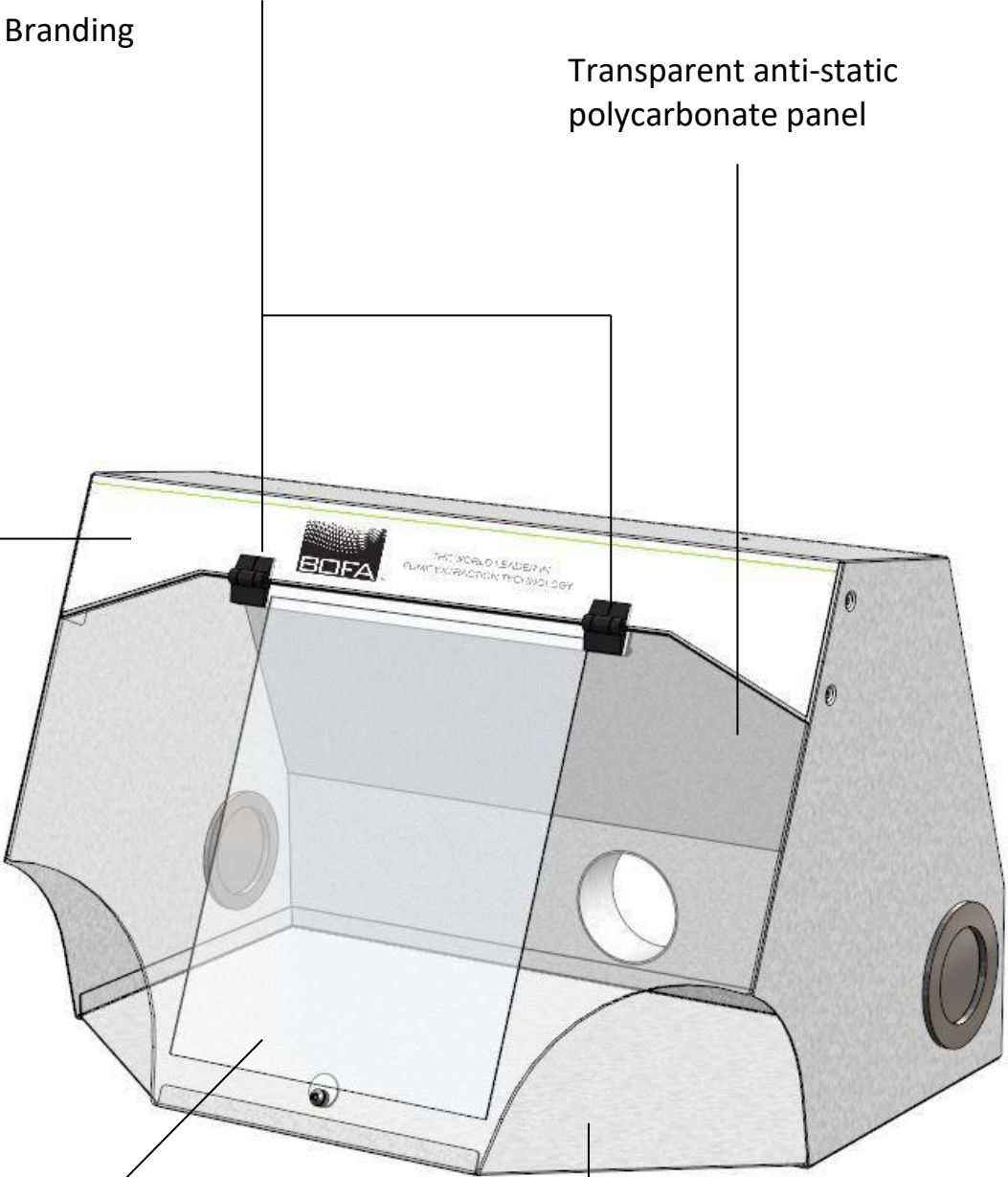
Overview

1 01

Screen Hinges

Company Branding

Transparent anti-static polycarbonate panel



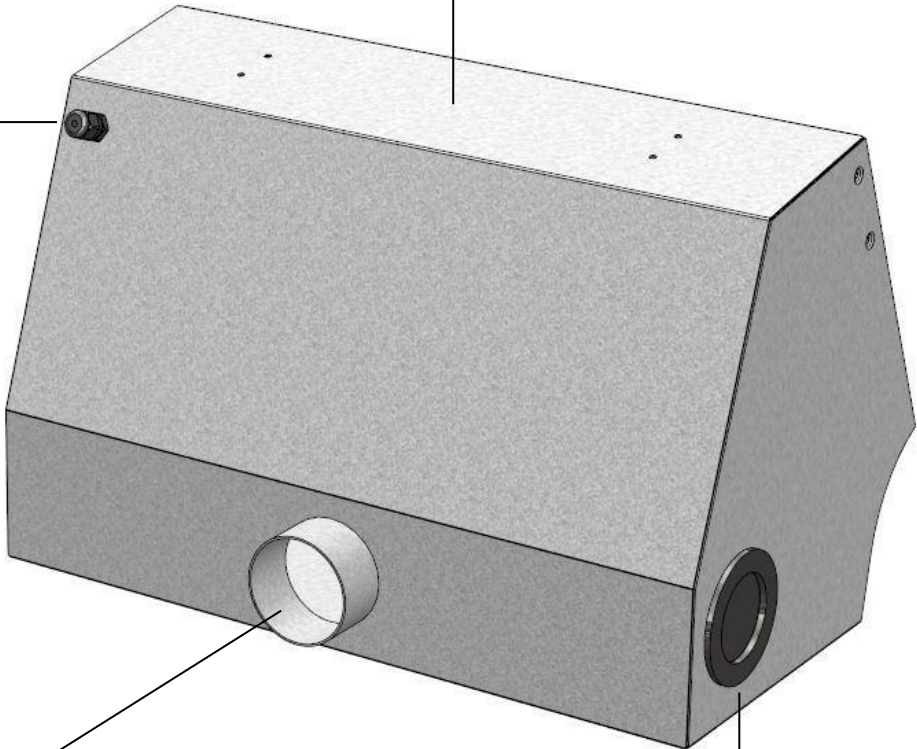
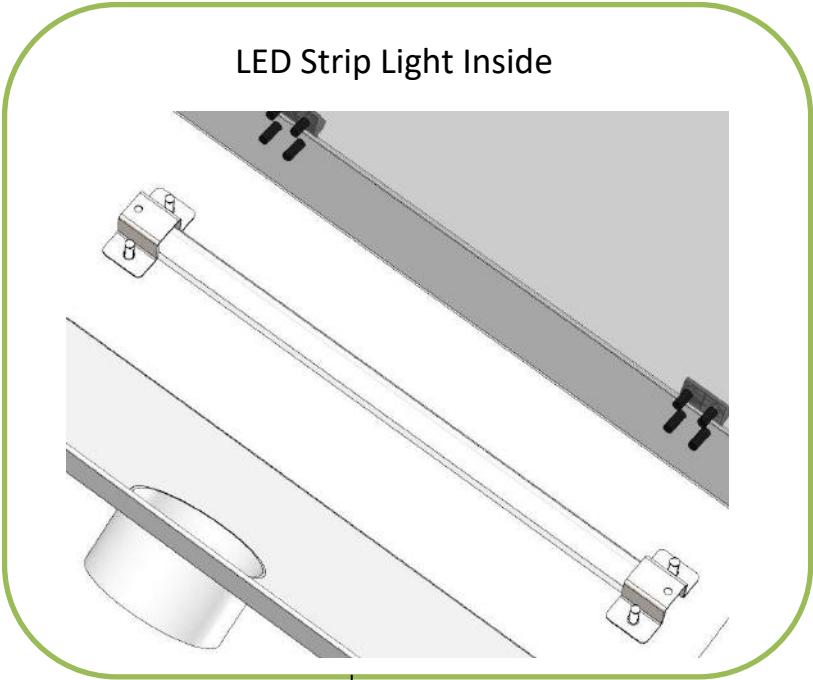
Transparent polycarbonate protective panel

Cut-outs at each side for hands

Overview

1 02

LED Light Power Inlet



Air Inlet (to extractor unit)

Cable Inlets

Safety Instructions



Important safety notes

Concerning symbols used on the DentalPRO Xtract 200 and referred to within this manual.



Danger

Refers to an immediately impending danger. If the danger is not avoided, it could result in death or severe (crippling) injury. Please consult the manual when this symbol is displayed.



Warning

Refers to a possibly dangerous situation. If not avoided it could result in death or severe injury. Please consult the manual when this symbol is displayed.



Caution

Refers to a possibly harmful situation. If not avoided, damage could be caused to the product or something in its environment.



Important (Refer to manual)

Refers to handling tip and other particularly useful information. This does not signify a dangerous or harmful situation. Refer to manual when this symbol is displayed.

Electrical Safety

The Xtract 200 has been designed to meet the safety requirements of the Low Voltage Directive 2006/95/EC (previously numbered 73/23/EEC)

Important

To reduce the risk of fire, electric shock or injury:

1. Use only as described in this manual.
2. Connect the system to a properly grounded outlet.

This unit should not be used on processes with sparks of flammable materials or with explosive dusts and gases, without implementation of additional precautions.

BOFA Technical Service

If problems arises with your Xtract 200 please contact us:

- Visit our website at www.bofa.co.uk for on-line help.
- Or contact the helpline on **+44 (0) 1202 699 444**, Mon-Fri, 9am-5pm.
Email: Technical@bofa.co.uk

Before Installation

3 01

Packaging Removal & Unit Placement

Before installation, check the extraction unit for damage. All packaging must be removed before the Xtract 200 is connected to the power supply.

Please read all instructions in this manual before using this unit.

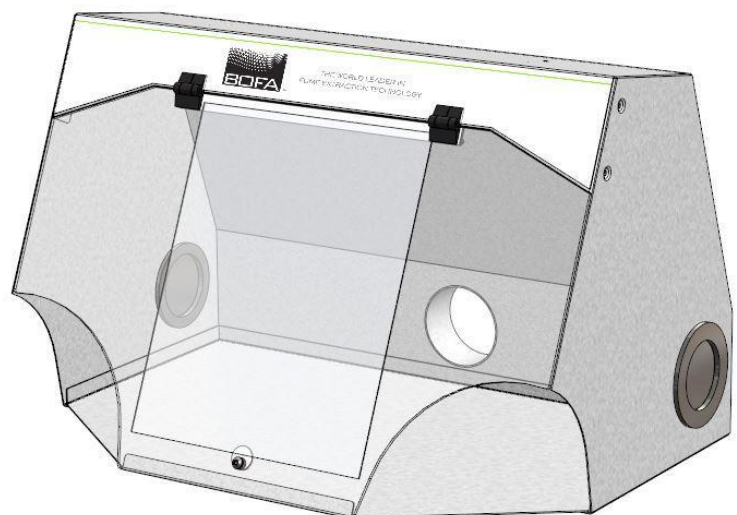
1. Remove the outer packaging and place Xtract 200 in the location where it is going to be installed.



Do not block or cover the airflow and motor cooling ports on the unit, as this severely restricts airflow and may cause damage to the unit.



Under no circumstances should the exhaust outlet/s be covered as this will restrict the airflow and cause overheating.



Installation

4 01

Specification: DentalPRO Xtract 200

Dimensions: Height 354mm Depth 402mm Width 548mm

Weight: 11.8kg

Input: 100-240V

50/60Hz

Current: 0.6A

Connection to Power Supply

Ensure the power supply is suitable before connecting the Xtract system.

Check the Integrity of the electrical power cable, if the supply cord is damaged the unit should not be connected to the mains.

The unit **MUST** be connected to a properly earthed outlet.



Connect the power cable to an isolated electrical supply.



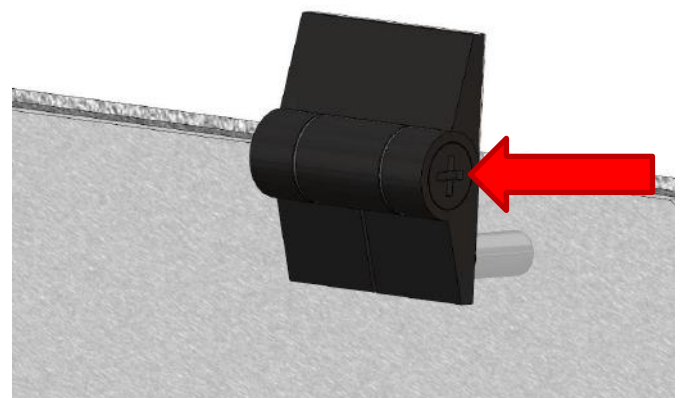
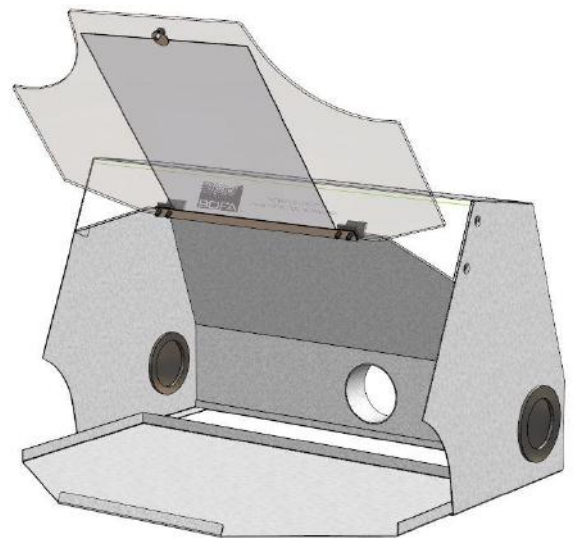
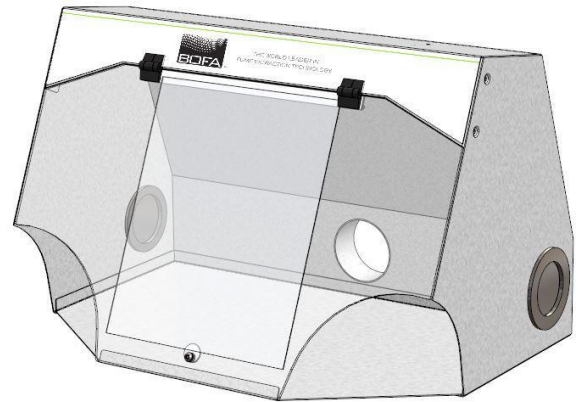
The mains socket should be installed near the extractor it should be easily accessible and able to be switched On/ Off. The cable run should be arranged so as not to create a trip hazard.

Hinged Front Panel and Tray

The Xtract 200 features a Hinged Transparent Front Panel. This allows for better airflow whilst protecting the user from debris given off in the dental milling process.

The friction hinges can be manually adjusted to hold at a desired height. This is done by turning the screw running through the centre of the hinge clockwise to tighten and anti-clockwise to loosen.

The Xtract 200 also features a removable tray that sits in the bottom of the unit to collect debris and to accommodate work pieces making for a cleaner, neater working environment.



Installation

4 02

During the dental milling processes which remove material, dust is usually generated as a by-product. This dust needs to be removed in order to prevent interference with the performance of the machine and also to protect the health of the operator. The DentalPRO range of units has been developed to provide effective removal of particulates created during processes such as milling and grinding. DentalPRO units are compact and portable. They are of robust design, and feature ease of use with minimal maintenance and long life.

Exposure to airborne contaminants at work, such as inhalable and respirable dust particles, can put people's health at risk. Health and safety regulations require employers to control exposure to hazardous substances in order to prevent ill health. The use of a suitable extraction system will enable you to conform to the Health and Safety regulations and protect the health employees and others.

The Xtract 200 has been designed to remove and filter fume containing potentially hazardous particulate generated during manufacturing processes. Such hazardous substances are captured within a multistage filtration system after which the cleaned air is returned to the workplace.

Fume Capture Methods

The fume is normally captured by 1 of 3 methods.

- Flexible arm/ Nozzle
- Enclosures
- Cabinets

General Guidelines for a successful installation

- Keep duct run length to a minimum
- Avoid sharp bends / turns in the ductwork
- Avoid multiple bends / turns in the ductwork
- Use a larger diameter duct where able
- Position the capture device as close as possible to the marking point. (if used on high speed lines, position the capture device slightly downstream)

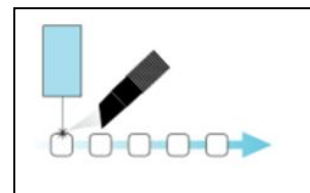
Flexible Arm & Nozzle Extraction (Optional Kits)

The stay put arm should be mounted as close as possible to the marking point. Unscrew the push fit connector from the other side of the flexible hose. Cut the flexible hose to suit the distance back to the extractor connection and push onto the extractor inlet.

Purge air should be kept to a minimum, where possible, to prevent the fume being blown away from the nozzle.

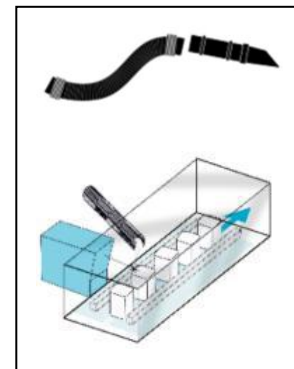
Moving products

For applications where the product to be marked is moving past the stationary head the capture nozzle should be positioned as close as possible to the marking area on the side the product is moving towards.



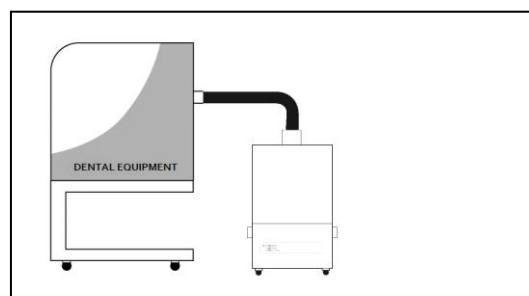
Enclosures

The extraction hose and nozzle can be attached to the enclosure surrounding the marking zone provided that the extraction point is within 50-75mm of the marking point.



Cabinets

Cabinets normally have a 75mm or 100mm spigot for fume extraction. For best performance use the same diameter hose as the spigot and reduce at the extractor end if necessary. **Keep the hose run as short as possible.**



Maintenance

5 01

Maintenance UK

It is a legal requirement, under regulation 9 of the COSHH regulations that all local exhaust ventilation systems are thoroughly examined and tested at least once every 14 months (typically carried out annually). The approved code of practice recommends that a visual check should be carried out at least once a week.

COSHH requires the annual inspection and testing to be carried out by a competent person and specifies that documentation results are recorded in a log.

Contact the seller for more information about inspection and certification.

Maintenance General

User maintenance is limited to cleaning the unit, only the manufacturers trained maintenance technicians are authorised to carry out component testing and replacement. Unauthorised work may result in a potentially dangerous situation and will invalidate the manufacturer's warranty.

Cleaning the unit

The powder coat finish can be cleaned with a damp cloth and non-aggressive detergent, do not use an abrasive cleaning product as this will damage the finish.

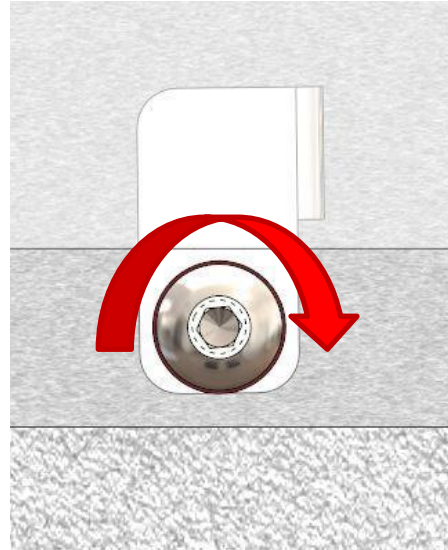
The inlets and outlets should be cleaned once a year to prevent build-up of dust and overheating of the unit.

Polycarbonate Protective Panel

The Xtract 200 features a removable polycarbonate protective panel. This panel is a disposable part that protects the main polycarbonate panel from scratches caused by debris given off in the milling process.

Replacement protective panels can be supplied by BOFA when required.

To remove the panel, simply turn the latch that is secured to the main panel through 90°. The panel can then be slid downwards and out of the slot located in between the hinges and replaced with a new panel.



System Specifications



Unit: DentalPRO Xtract 200

Weight: 11.8kg 26lbs

Input: 100-240V

50/60Hz

Current: 0.6A

Size:

	Metric (mm)	Imperial (inches)
Height	354	14
Depth	402	15.8
Width	548	21.5

Contact Information

BOFA Headquarters

19-20 Balena Close
Creekmoor industrial Estate
Poole
Dorset
BH17 7DU
UK
Phone: +44 (0) 1202 699 444

BOFA Americas

303 S. Madison Street
Staunton
Illinois
62088
USA
Phone: +1 (618) 205 5007

BOFA International GmbH

Sudring 62
D-21465
Wentorf bei Hamburg
Germany
Phone: +49 (0) 40 7393735-15