



A Donaldson Company

A WORLD LEADER IN FUME
EXTRACTION TECHNOLOGY

DentalPRO Universal

Last Updated on 02.02.2022



Stand-alone dust extraction system for CAD/CAM dental milling machines.

BOFA's DentalPRO Universal stand-alone dust extraction system filters small particulates generated during the CAD/ CAM milling of dental implants. The unit has a high-efficiency two-stage filtration process which helps the workplace maintain a clean working environment.

The unit's high vacuum pump is brushless and designed for continuous running for long periods of time before requiring servicing. The bag filter has a large 18-litre capacity and the HEPA filter is very high efficiency.

Technology



HEPA filter



ProTECT service plan



SureCHECK quality standard

Key features of the DentalPRO Universal

Digital speed control - for variable airflow rates
Standard

High vacuum pump for effective capture from source
Standard

Filters with long life and low replacement cost
Standard

HEPA filtration
Standard

Quiet in operation
Standard

24V remote stop / start interface + override
Optional

Auto sensing voltage (90-257v) for global use
Standard

Brushless motor (for longer periods of time before servicing)
Standard

High efficiency 5 layer large capacity easy change filter
Standard

Filter full indicator
Standard

Small footprint
Standard

Filter signal
Optional

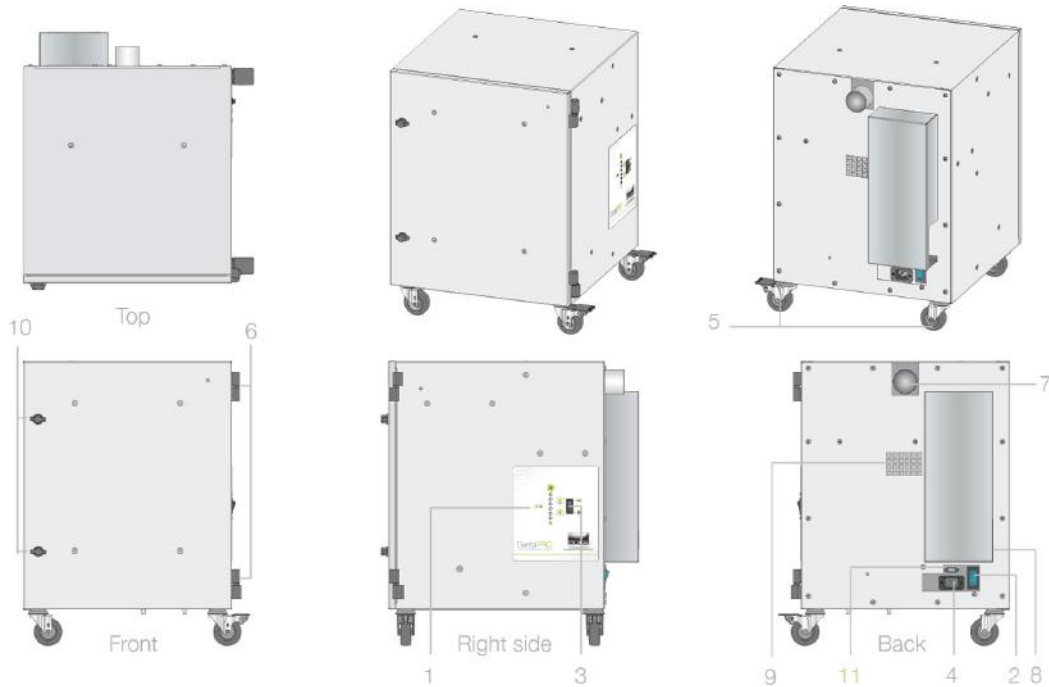
Contact BOFA at www.donaldsonbofa.com/contact/
www.donaldsonbofa.com/fume-extraction-systems/dentalpro-universal/



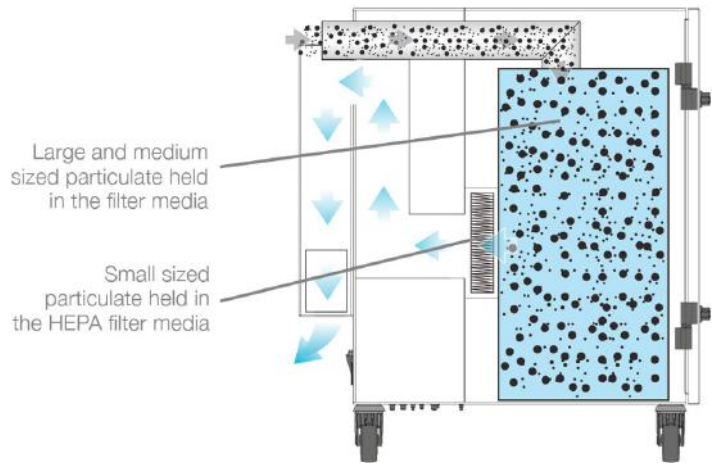
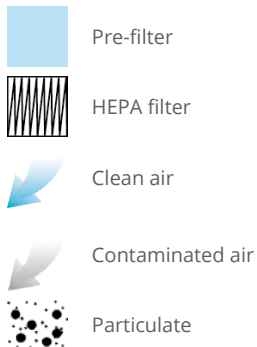
Approvals: REACH and RoHS. See individual product technical data for specific accreditations

Technical specification

- | | | | |
|------------------------------------|--------------------|-----------------------------------|-------------------|
| 1. Unit / filter condition display | 2. On / off switch | 3. Override switch (optional) | 4. Power inlet |
| 5. Castors | 6. Door hinge | 7. Hose inlet connection - 50mm | 8. Exhaust outlet |
| 9. Motor cooling inlet | 10. Door latch | 11. Optional interface connection | |



Airflow through filter



Technical data

	EU	US
Dimensions (HxWxD)	590 x 460 x 535 mm	23.23 x 18.11 x 21.06"
Cabinet construction	Powder coated mild steel	Powder coated mild steel
Max airflow / pressure	285m ³ /hr / 96mbar	167cfm / 96mbar
Electrical data	115 - 230v Single-phase 1~ 50/60Hz Full load current: 12.5 amps / 1.1kw	115 - 230v Single-phase 1~ 50/60Hz Full load current: 12.5 amps / 1.1kw
Noise level	< 66dBA (at typical operating speed)	< 66dBA (at typical operating speed)
Weight	33kgs	72.8lbs

Technical data

Approvals

UKCA and CE

UKCA and CE

Pre-filter bag specifications

Filter media	Borosilicate
Filter media construction	Bag filter
Filter capacity	18 Litres
Filter efficiency	99% @ 0.3 microns

HEPA filter specifications

HEPA filter media	Borosilicate
HEPA media construction	Maxi pleat construction with glue bead spacers
Filter efficiency	99.997% @ 0.3 microns

Unit part numbers

Model	Voltage	Part no.	Stop / start	Filter change signal
DentalPRO Universal	100-230v	DL0844A0000	A2001	A2002

Replacement filter part numbers

Model	Pre-filter	HEPA filter
DentalPRO Universal	A1030382	A1030383

Hose kits

Description	Part number
4m x 50mm flex with cuffs	A1020115

Datasheet correct at time of publishing.

Where applicable, the carbon used in BOFA units is capable of removing a wide range of VOCs, however it is the responsibility of the user to ensure the carbon is suitable for their application. For specific applications, please contact us for details.

Important Notice: *Many factors beyond the control of BOFA can affect the use and performance of BOFA products in a particular application, including the conditions under which the product is used. Since these factors are uniquely within the user's knowledge and control, it is essential the user evaluate the products to determine whether the product is fit for the particular purpose and suitable for the user's application. All products, product specifications, availability and data are subject to change without notice, and may vary by region or country.*

Think before you print! Please consider the environment before printing this document.

