



A WORLD LEADER IN FUME
EXTRACTION TECHNOLOGY

AD PVC iQ

Last Updated on 01.02.2022



The complete fume extraction solution for laser marking, coding and engraving of PVC materials.

The AD PVC iQ extraction system has been designed to deal with the potentially corrosive nature of the fumes generated when lasering PVC materials.

The latest design specification now offers many of the features associated with our “best in class” AD Oracle iQ model as standard but in addition, all internally exposed surfaces have been coated to resist the potentially corrosive nature of the fume and each unit is fitted with HCl and VOC sensors, which continually monitor the exhaust air of the unit.

More information about the [Intelligent Operating System \(iQ\)](#).

Technology



Intelligent Operating System (iQ)



HEPA filter



Automatic flow control (AFC) technology



Reverse flow air (RFA) technology



Advanced carbon filter (ACF) technology



Multi voltage sensing (MVS) unit



Patented technology



ProTECT service plan



SureCHECK quality standard

Key features of the AD PVC iQ

iQ Operating System
Standard

Reverse flow filter technology
Standard

Turbine with high airflow and pressure
Standard

HCl and VOC gas sensors
Standard

Compact design
Standard

Low noise levels
Standard

Real time airflow reading
Standard

Auto sensing voltage (100-230v)
Standard

Automatic flow control
Standard

Acid resistant coatings
Standard

'Easi-Seal' filter location mechanism
Standard

ACF technology
Standard

High contrast display
Standard

Independent filter condition monitoring
Standard

Contact BOFA at www.donaldsonbofa.com/contact/

www.donaldsonbofa.com/fume-extraction-systems/ad-pvc-iq/



Approvals: REACH and RoHS. See individual product technical data for specific accreditations

Filter status warnings

Standard

Remote diagnostics via USB

Standard

Filter change / system fail signal

Optional

'Run safe' operation

Standard

Remote stop / start interface

Optional

Technical specification

1. iQ display

2. Standby switch

3. Signal / interface cable

4. Power cable

5. Castors

6. Door hinge

7. Hose inlet connection - 75mm

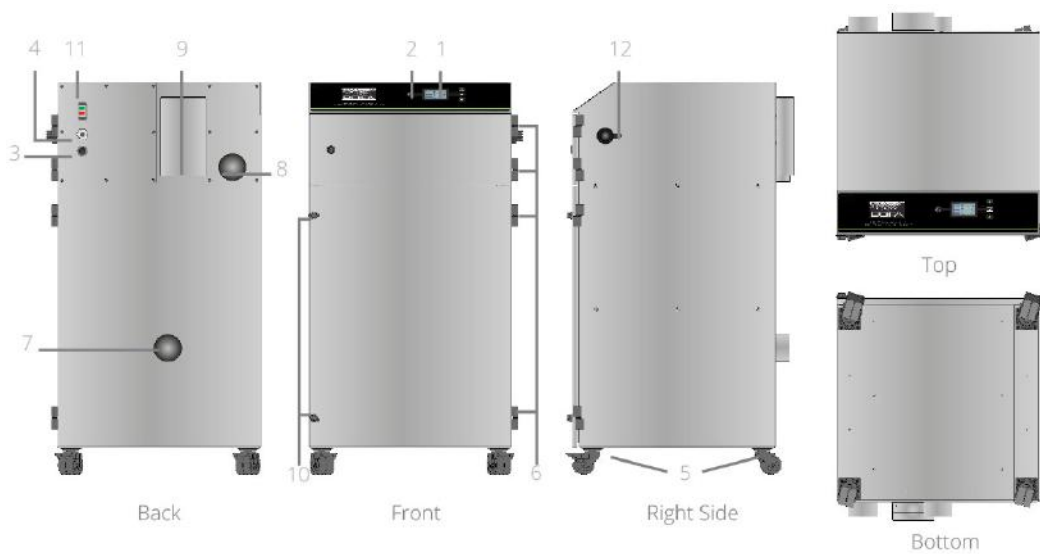
8. Exhaust outlet - 75mm

9. Motor cooling inlet

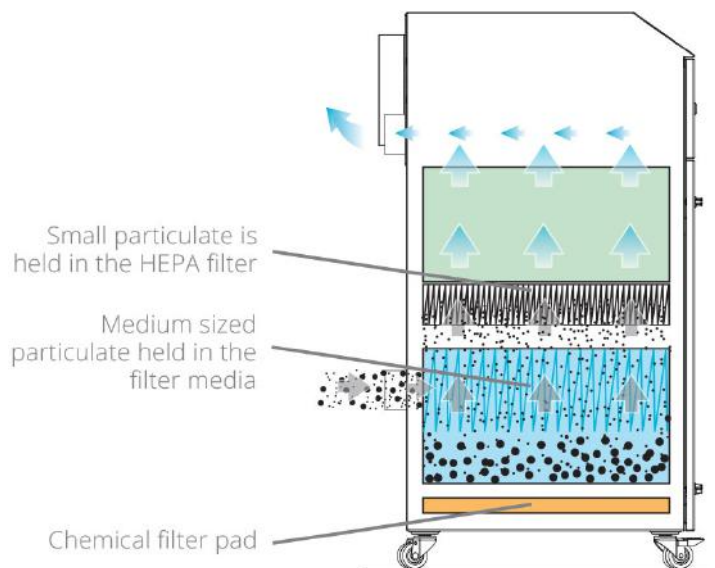
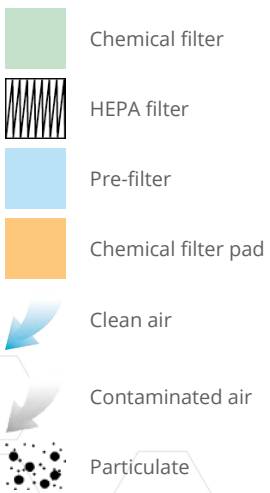
10. Door latch

11. On / off switch

12. USB socket



Airflow through filters



Technical data

	EU	US
Dimensions (HxWxD)	1090 x 570 x 600mm	42.91 x 22.44 x 23.62"
Cabinet construction	Brushed stainless steel with epoxy coated internal contact parts	Brushed stainless steel with epoxy coated internal contact parts
Airflow / pressure	350m ³ /hr (205cfm) / 96mbar	350m ³ /hr (205cfm) / 96mbar
Electrical data	100-230v Single-phase 1~ 50/60Hz Full load current: 12.5 amps / 1.1kw	100-230v Single-phase 1~ 50/60Hz Full load current: 12.5 amps / 1.1kw
Noise level	< 60dBA (at typical operating speed)	< 60dBA (at typical operating speed)
Weight	95kgs	209lbs
Approvals	UKCA and CE	cUL, UL*

Pre-filter specifications

Surface media area	2m ² approx (21.52 ft ²)
Filter media	Polyester
Filter media construction	8 pocket bag filter
Filter housing	Corrosion resistant coated stainless steel
Filter efficiency	95% @ 0.9 microns

Gas / HEPA filter specifications

HEPA filter media	Borosilicate
HEPA media construction	Maxi pleat construction with glue bead spacers
Filter housing	Corrosion resistant coated stainless steel
Treated activated carbon	Blend of impregnated activated carbons (21kg) (46.2 lbs)
Filter efficiency	99.997% @ 0.3 microns

Part numbers

Model	Voltage	Part no.	24V stop / start	Filter change / system failure signal
AD PVC iQ stainless steel	90V - 257V	L0952A	A2001	A2002

Replacement filters and accessories

Model	Pre-filter	Chemical pad filter	Combined HEPA / gas filter	HCl sensor
AD PVC iQ	A1030081	A1030083	A1030082	A1070027

* Tested to UL and cUL standards, but testing may be provided by alternate nationally recognised test laboratories. Certain product configurations may affect the UL certification. Please speak to your sales representative.



Other languages

AD PVC iQ
[French](#)

Datasheet correct at time of publishing.

Where applicable, the carbon used in BOFA units is capable of removing a wide range of VOCs, however it is the responsibility of the user to ensure the carbon is suitable for their application. For specific applications, please contact us for details.

Important Notice: *Many factors beyond the control of BOFA can affect the use and performance of BOFA products in a particular application, including the conditions under which the product is used. Since these factors are uniquely within the user's knowledge and control, it is essential the user evaluate the products to determine whether the product is fit for the particular purpose and suitable for the user's application. All products, product specifications, availability and data are subject to change without notice, and may vary by region or country.*

Think before you print! Please consider the environment before printing this document.

