



A WORLD LEADER IN FUME  
EXTRACTION TECHNOLOGY



# AD Cyclone

LASER, MECHANICAL ENGINEERING

Last Updated on 01.02.2022

Inline cyclone filter for heavy particulate, to extend filter life and extraction performance.

Thanks to Sir James Dyson and his vacuum cleaners, most people are aware of cyclone separators.

Cyclone separators are useful at capturing particles of 20micron and larger, i.e. visible to the naked eye.

Unfortunately, laser marking generates a wide range of particle sizes that are smaller than this so standard cyclone separators are not as efficient.

BOFA International commissioned the University of Southampton in the UK, using CFD (computational fluid dynamics) techniques, to develop a cyclone to operate more efficiently at these lower particle sizes.

The C5 Cyclone separator has been design specifically for use with the [AD Oracle iQ](#) extraction unit and is installed between the laser extraction point and the extractor. The airflow generated by the extraction unit powers the cyclone.

## Technology



ProTECT service plan



SureCHECK quality standard

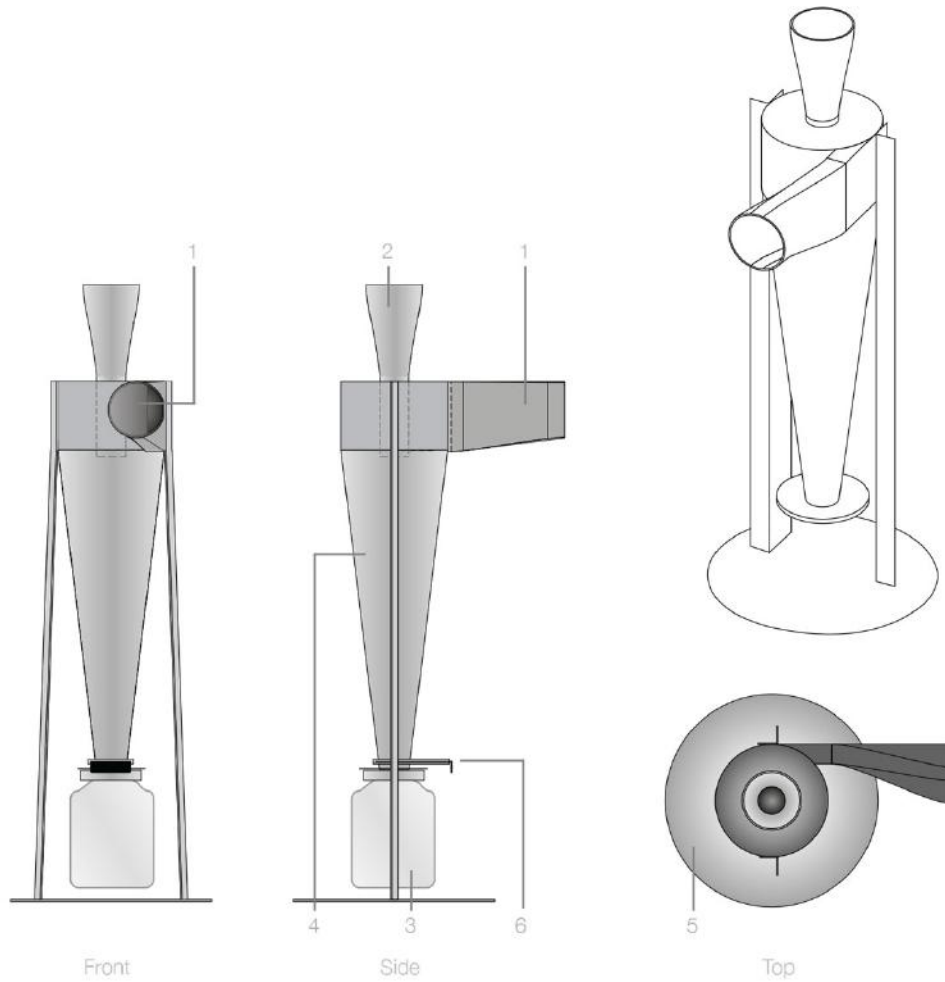
## Technical specification

1. Air inlet connection - 75mm
2. Air outlet connection - 75mm
3. Capture pot
4. Cyclone chamber
5. Base
6. Shut off valve

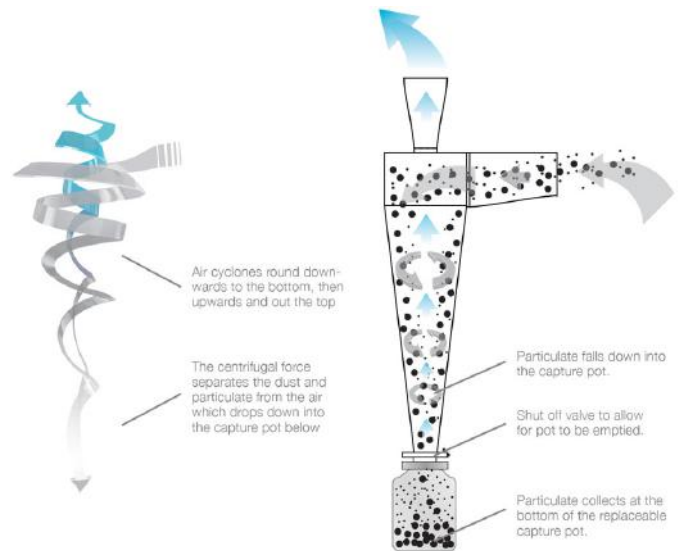
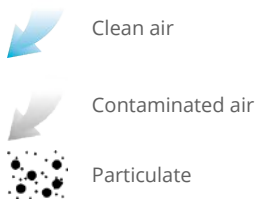
Contact BOFA at <https://bofainternational.com/en/contact/>  
<https://bofainternational.com/en/portal/datasheets/ad-cyclone/>



Approvals: REACH and RoHS. See individual product technical data for specific accreditations



### Airflow through cyclone



### Technical data

Dimensions (HxWxD)	800 x 300 x 140mm (31.5 x 11.81 x 5.51")
Construction	Stainless steel
Powered by	AD Oracle iQ2 extraction unit
Weight	7kg / 15.4lbs

## Part numbers

Model	Part no.
AD Cyclone with shut off valve - Stainless steel	A1080112

## Other languages

AD Cyclone  
[French](#)

AD Cyclone  
[German](#)

*Datasheet correct at time of publishing.*

*Where applicable, the carbon used in BOFA units is capable of removing a wide range of VOCs, however it is the responsibility of the user to ensure the carbon is suitable for their application. For specific applications, please contact us for details.*

**Important Notice:** *Many factors beyond the control of BOFA can affect the use and performance of BOFA products in a particular application, including the conditions under which the product is used. Since these factors are uniquely within the user's knowledge and control, it is essential the user evaluate the products to determine whether the product is fit for the particular purpose and suitable for the user's application. All products, product specifications, availability and data are subject to change without notice, and may vary by region or country.*

*Think before you print! Please consider the environment before printing this document.*

